

DEALER INFORMATION			RTS INFORMATION		
Dealer:		RTS:		Phone:	
Account:	PO:		Email:		
Ordered By:			SHIP TO INFORMATION		
Address:			Name:		Ship Via:
City:	State:	Zip:	Address:		
Phone:	Fax:		City:	State:	Zip:
Email:			Phone:	Fax:	
Mark For:			TiLite Information		Promo Code:
			Ship Date:		Order #:

Please Fax or email orders to the SDL Customer Service Team



TiLite Aero R Fixed Front shown in Azure Blue and with other available options.

TiLite Aero R Swing Away shown in TiLite Red and with other available options.

FRAME STYLE

TiLite Aero R (250 Pound Weight Limit.)

- ARFS1 **Swing Away**\$2,400
- ARFS2 **Fixed Front**\$2,400
- ARRFR1 **Reinforced Frame** (No charge when 20" Rear Seat Width **A** and 20" Seat Depth **B** are selected.).....\$370

FRAME FINISHES

Natural Aluminum

- ARFF1 **Light Satin** (Finished with clear powder coat.)**STD**
- ARFF3 **Tattooed Aluminum™** (Tattoos on front frame tubes. Finished with clear powder coat.)**\$295**

ARFF4 **Rock & Roll**



ARFF6 **Mother Nature**



ARFF5 **Retro**



ARFF7 **Henna**



High Gloss Paint

- ARFF8 Super Wet Black
- ARFF11 Military Green

Metallic Paint

- ARFF14 Ocean Blue Metallic

Pearlescent Paint

- ARFF17 Midnight Blue Pearl

Matte Paint

- ARFF19 Black Lava
- ARFF27 Titanium Grey

Candy Paint

- ARFF22 Ruby Red
- ARFF25 Electric Plum

ARFF9 Sunburst Yellow

ARFF12 Orange Crush

ARFF15 Tangerine Metallic

ARFF18 White Pearl

ARFF20 Deep Blue Ice

ARFF23 Azure Blue

ARFF26 Atomic Green

ARFF10 TiLite Red

ARFF13 Hot Pink

ARFF16 Salsa Red Metallic

ARFF21 Scarlet Ice

ARFF24 Root Beer Candy

.....**STD**



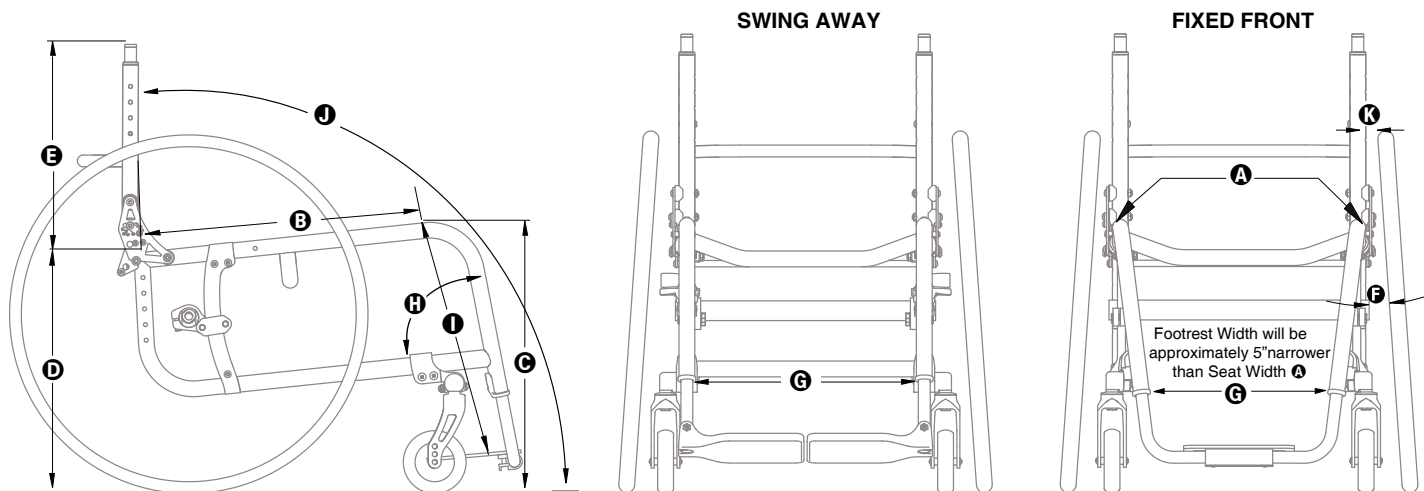
THE ULTIMATE RIDE.®

tilite.com
 2701 West Court Street | Pasco, Washington 99301
 509.586.6117 Tel | 800.545.2266 Toll-Free
 509.586.2413 Fax | 866.586.2413 Toll-Free Fax

FRAME MEASUREMENTS

SEAT WIDTH A Measure from outside of seat tube at back post to the outside of the opposite seat tube at back post. (12" and 13" Seat Widths A not available on Fixed Front Frame.)

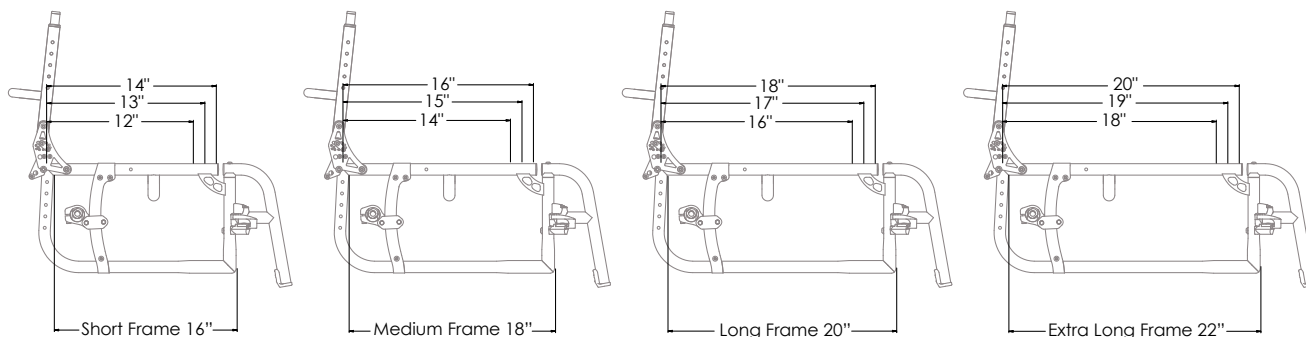
- ARSW1 12" 13" 14" 15" 16" 17" 18" 19".....STD
- ARSW2 20"\$450



SEAT DEPTH B Measure from front of back post to the front edge of seat sling.

TILITE AERO R SWING AWAY SEAT DEPTH B /FRAME LENGTH CHART (Select one Frame Length and one Seat Depth.)

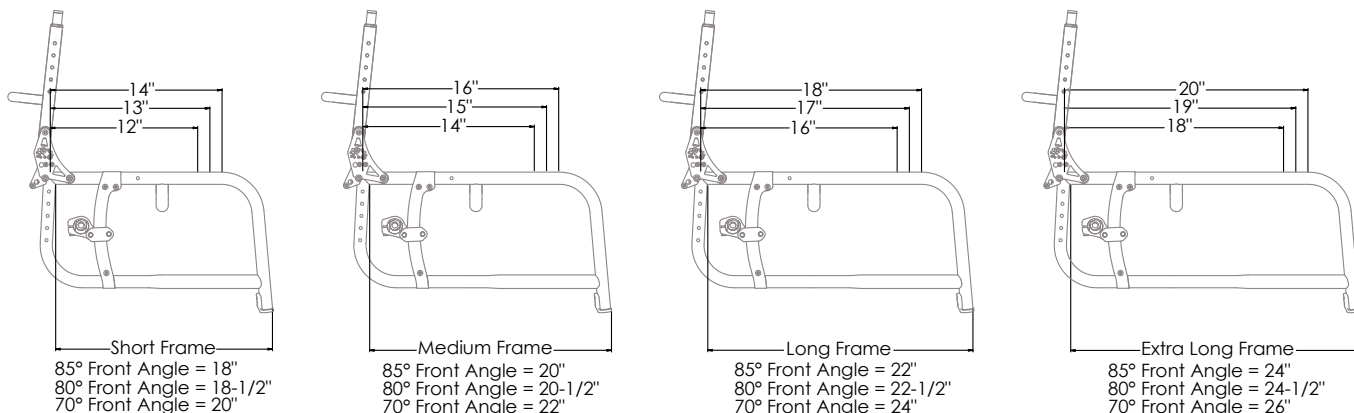
Frame Length	Seat Depth	
ARSD7 <input type="checkbox"/> Short	<input type="checkbox"/> 12" <input type="checkbox"/> 13" <input type="checkbox"/> 14" (25" and 26" Rear Wheels not available with Short Frame Length.).....	STD
ARSD8 <input type="checkbox"/> Medium	<input type="checkbox"/> 14" <input type="checkbox"/> 15" <input type="checkbox"/> 16" (25" and 26" Rear Wheels not available with 14" Seat Depth B.).....	STD
ARSD10 <input type="checkbox"/> Long	<input type="checkbox"/> 16" <input type="checkbox"/> 17" <input type="checkbox"/> 18".....	STD
ARSD12 <input type="checkbox"/> Extra Long	<input type="checkbox"/> 18" <input type="checkbox"/> 19".....	STD
ARSD14 <input type="checkbox"/> Extra Long	<input type="checkbox"/> 20".....	\$475



TILITE AERO R FIXED FRONT SEAT DEPTH B /FRAME LENGTH CHART (Select one Frame Length and one Seat Depth.)

Frame Length	Seat Depth	
ARSD15 <input type="checkbox"/> Short	<input type="checkbox"/> 12" <input type="checkbox"/> 13" <input type="checkbox"/> 14" (25" and 26" Rear Wheels not available with Short Frame Length.).....	STD
ARSD18 <input type="checkbox"/> Medium	<input type="checkbox"/> 14" <input type="checkbox"/> 15" <input type="checkbox"/> 16" (25" and 26" Rear Wheels not available with 14" Seat Depth B.).....	STD
ARSD20 <input type="checkbox"/> Long	<input type="checkbox"/> 16" <input type="checkbox"/> 17" <input type="checkbox"/> 18".....	STD
ARSD23 <input type="checkbox"/> Extra Long	<input type="checkbox"/> 18" <input type="checkbox"/> 19".....	STD
ARSD24 <input type="checkbox"/> Extra Long	<input type="checkbox"/> 20".....	\$475

FRAME MEASUREMENTS



FRONT SEAT HEIGHT ☉ Measure from floor to top of seat tube at beginning of bend. Adjustable in 1/2" increments.

FRONT SEAT HEIGHT RANGES

Front Caster Size	Front Seat Heights ☉
3" Front Caster	15.5" - 19.5"
3" Front Caster w/Frog Legs®	17.5" - 19.0"
4" Front Caster	16.5" - 20.0"
4" Front Caster w/Frog Legs®	17.5" - 19.5"
5" Front Caster	17.5" - 21.0"
5" Front Caster w/Frog Legs®	18.5" - 20.0"
6" Front Caster	18.0" - 21.0"
6" Front Caster w/Frog Legs®	19.5" - 20.5"
8" Front Caster	20.0" - 22.0"

ARFSH1	<input type="checkbox"/> 15.5"	<input type="checkbox"/> 16"	<input type="checkbox"/> 16.5"
	<input type="checkbox"/> 17"	<input type="checkbox"/> 17.5"	<input type="checkbox"/> 18"
	<input type="checkbox"/> 18.5"	<input type="checkbox"/> 19"	<input type="checkbox"/> 19.5"
	<input type="checkbox"/> 20"	<input type="checkbox"/> 20.5"	<input type="checkbox"/> 21"
	<input type="checkbox"/> 21.5"	<input type="checkbox"/> 22" STD

REAR SEAT HEIGHT ☉ Measure from floor to top of seat tube at back post. Adjustable in 3/8" increments.

REAR SEAT HEIGHT RANGES

Rear Wheel Size	Rear Seat Height ☉
22"	13" - 18"
24"	14" - 19"
25"	14" - 19"
26"	15" - 20"

ARRSH1	<input type="checkbox"/> 13"	<input type="checkbox"/> 13.5"	<input type="checkbox"/> 14"
	<input type="checkbox"/> 14.5"	<input type="checkbox"/> 15"	<input type="checkbox"/> 15.5"
	<input type="checkbox"/> 16"	<input type="checkbox"/> 16.5"	<input type="checkbox"/> 17"
	<input type="checkbox"/> 17.5"	<input type="checkbox"/> 18"	<input type="checkbox"/> 18.5"
	<input type="checkbox"/> 19"	<input type="checkbox"/> 19.5"	<input type="checkbox"/> 20"..... STD

SEAT BACK TYPE/PUSH HANDLES/SEAT BACK HEIGHT Measure from top of back post to top of seat tube at rear of frame.

SEAT BACK TYPE

- ARSB1 Folding Aluminum Adjustable Height.....**NCO**
- ARSB2 Folding Titanium Adjustable Height (Titanium back will have Satin Frame Finish. Not available with Bolt-On Push Handles.).....**\$175**
- ARSB11 Backrest that Locks when Folded.....**\$75**

TISHAFT™ BACK RELEASE BARS

- ARSB3 Aluminum**STD**
- ARSB4 Titanium.....**\$35**

PUSH HANDLES

- ARSB6 Integrated Push Handles.....**NCO**
- ARSB7 Integrated Fold-Down Push Handles (Requires Tension Adjustable by Straps Back Upholstery.).....**\$100**
- ARSB8 Bolt-On Push Handles (Includes 4" Deep Backrest Rigidizer Bar. Not available with Ti Back.).....**\$169**
- ARSB9 Bolt-On Height-Adjustable Push Handles (Includes 4" Deep Backrest Rigidizer Bar. Not available with Ti Back.).....**\$279**

SEAT BACK HEIGHT ☉

Push Handles	Short	Medium	Tall	Set at: (Use 1/2" increments)
None	<input type="checkbox"/> 8.5"- 12.5"	<input type="checkbox"/> 12.5"- 16.5"	<input type="checkbox"/> 16.5"- 20.5"	Set at: _____
Integrated	<input type="checkbox"/> 10.5"- 12.5"	<input type="checkbox"/> 13.5"- 16.5"	<input type="checkbox"/> 17.5"- 20.5"	Set at: _____
Integrated Fold-Down	<input type="checkbox"/> 12.5"- 14.5"	<input type="checkbox"/> 14.5"- 19"	<input type="checkbox"/> 18.5"- 21"	Set at: _____

AVAILABLE ON ALL BACKS

- ARSB12 4" Deep Backrest Rigidizer Bar.....**NCO**
- ARSB13 Custom Height Backrest Rigidizer Bar (The Standard Rigidizer Bar height is 5" above the Seat Sling for a short, 6-1/4" for a medium and 10-1/4" for a tall. Custom Height Rigidizer Bar must be at least 4-1/2" above Seat Sling or 5-3/4" above Seat Sling when used with 11" - 14" Swing Away Tubular Armrests. Maximum Height is 3" less than Lowest Seat Back Height.).....**\$150**

Set at: _____ (Use 1/4" increments)

FRAME MEASUREMENTS

SEAT BACK ANGLE ① Measure angle from front of back post to floor. 90° will be perpendicular to the floor. To approximate the angle from the back post to the seat, subtract 2 degrees from measurement ① for every .5" of dump.

ARSBA1 80° 83° 86° 89° 92° 95° 98° 101°.....NCO

REAR WHEEL SPACING ③ Measure from outside of seat back post to inside of rear tire. 3/4" Rear Wheel Spacing not available with 0° or 2° Camber ②.

ARRWS1 .75" 1" 1.25" 1.5" 1.75" 2".....STD

CAMBER ②/CAMBER TUBES

ARCBR1 0° 2° 4° 6° 8° 12°STD

ARCBR2 15° 18°.....\$75

ARCBR3 Titanium Camber Tube (Not available with Power Adaptable Frame.).....\$50

ARCBR6 Carbon Fiber Camber Tube (Not available with Power Adaptable Frame.).....\$195

ARCBR4 Additional Titanium Camber Tube 0° 2° 4° 6° 8° 12° 15° 18°.....\$115

ARCBR7 Additional Carbon Fiber Camber Tube 0° 2° 4° 6° 8° 12° 15° 18°.....\$250

ARCBR5 Additional Aluminum Camber Tube 0° 2° 4° 6° 8° 12° 15° 18°.....\$115

ARCBR9 Additional Spacers to Increase Rear Wheel Spacing.....NCO

FRONT TAPER ⑥/FRONT ANGLE ④ Front Angle ④ is measured from inside of front frame tube to top of bottom frame tube.

Aero R Swing Away Front End (If no Front Taper is selected, footrest width will be 2" narrower than Seat Width ①. If 2" taper is selected, footrest width will be 4" narrower than Seat Width ①.)

ARFA3 70° 80° 85° 90° Front Angle with No Taper.....STD

ARFA4 80° Front Angle with 2" Taper (Not available with Elevating Leg Rest.).....\$140

ARFA5 Elevating Leg Rest L **OR** R (When choosing a left or right Elevating Leg Rest, please select the opposite

Front End (ARFA1), above. Not available with 14" or narrower Seat Width ①.).....\$130

ARFA7 Pair.....\$260

ARFA0 Omit Hangers.....\$0.00

Aero R Fixed Front End (Footrest width will be 5" narrower than Seat Width ①.)

ARFA6 70° 80° 85°.....STD

SEAT TO FOOTREST ①/FOOTRESTS Measure from front edge of seat sling to top rear of footrest. Measurement must be at least 2" shorter than Front Seat Height ②.

SWING AWAY FOOTRESTS

If your Front Angle ④ is 70°, 80° OR 85° WITH NO TAPER, select one Seat to Footrest ① length and one Footrest type:

Standard Footrests

14" 14.5" 15" 15.5" 16" 16.5" 17" 17.5" 18"

18.5" 19" 19.5" 20"

ARFTR5 Flip-up Footrest.....STD

ARFTR6 1- Piece Flip-up Footrest Pivot on L **OR** R (Not available with Heel Loops.).....\$120

ARFTR9 Depth Adjustable Flip-up Footrest.....\$95

ARFTR10 Depth & Angle Adjustable Flip-up Footrest (Available for 15"- 20" Seat to Footrest ① only.).....\$220

ARFTR11 Angle Adjustable Flip-up Footrest (Available for 15"- 20" Seat to Footrest ① only.).....\$180

High Mount Footrests (Not available with Luggage Carriers or Neoprene Impact Guards.)

7" 7.5" 8" 8.5" 9" 9.5" 10" 10.5" 11" 11.5"

12" 12.5" 13" 13.5" 14" 14.5"

ARFTR12 High Mount Flip-up Footrest.....\$160

ARFTR13 Depth Adjustable High Mount Flip-up Footrest.....\$175

ARFTR15 Angle Adjustable High Mount Flip-up Footrest.....\$265

ARFTR16 Depth & Angle Adjustable High Mount Flip-up Footrest.....\$295

Elevating Leg Rest

14" 14.5" 15" 15.5" 16" 16.5" 17" 17.5" 18" 18.5"

19" 19.5" 20" 20.5" 21" 21.5"

ARFTR17 Depth Adjustable Flip-up Footrest.....STD

If your Front Angle ④ is 80° WITH 2" TAPER, select one Seat to Footrest ① length and one Footrest type:

14" 14.5" 15" 15.5" 16" 16.5" 17" 17.5" 18" 18.5"

19" 19.5" 20"

ARFTR5 Flip-up Footrest.....STD

ARFTR6 1-Piece Flip-up Footrest - Pivot on L **OR** R (Not available with Heel Loops.).....\$120

ARFTR9 Depth Adjustable Flip-up Footrest.....\$95

ARFTR10 Depth & Angle Adjustable Flip-up Footrest (Available for 15"- 20" Seat to Footrest ① only.).....\$220

ARFTR11 Angle Adjustable Flip-up Footrest (Available for 15"- 20" Seat to Footrest ① only.).....\$180

FRAME MEASUREMENTS

If your Front Angle **ⓐ** is 90°, select one Seat to Footrest **ⓑ** length and one Footrest type (90° Front Angle **ⓐ** not

available with Neoprene Impact Guards.):

7" 8" 9" 10" 11" 12" 13"

ARFTR5 Flip-up Footrest.....**STD**

ARFTR9 Depth Adjustable Flip-up Footrest.....**\$95**

ARFTR10 Depth & Angle Adjustable Flip-up Footrest.....**\$220**

ARHLP1 Heel Loops (Not available with 12" or 13" Seat Width **ⓐ** or 1-Piece Footrests.)**\$50**

FIXED FRONT FOOTRESTS

14" 14.5" 15" 15.5" 16" 16.5" 17" 17.5" 18" 18.5" 19"

ARFTR3 Angle Adjustable Footrest.....**STD**

7" 7.5" 8" 8.5" 9" 9.5" 10" 10.5" 11" 11.5" 12"

12.5" 13" 13.5"

ARFTR4 Angle Adjustable High Mount Footrest**\$80**

ARFTR14 ABS Cover w/2" Sides (Available on all Fixed Front Footrests)**\$90**

CHAIR OPTIONS

FRONT WHEELS See Front Seat Height Ranges chart on Page 3 for Front Seat Height **ⓐ** limitations.

ARFW1 3"x.75" Micro-Caster.....**NCO**

ARFW2 3"x.75" Light-Up Micro-Caster.....**\$70**

ARFW14 4"x.75" Plastic Wheel w/Poly Tire.....**NCO**

ARFW3 4"x.75" Light-Up Micro-Caster.....**\$70**

ARFW19 4"x.75" Performance 5 Spoke Billet Aluminum Wheel w/Poly Tire Silver Hub **OR** Black Hub.....**\$130**

ARFW20 4"x1" Performance 5 Spoke 2-Piece Billet Aluminum Wheel w/Soft Roll Tire

Silver Hub **OR** Black Hub.....**\$170**

ARFW15 4"x1.5" Plastic Wheel w/Poly Tire.....**\$80**

ARFW6 5"x1" Plastic Wheel w/Poly Tire.....**STD**

ARFW21 5"x1" Performance 5 Spoke Billet Aluminum Wheel w/Poly Tire

Silver Hub **OR** Black Hub.....**\$170**

ARFW22 5"x1" Performance 5 Spoke 2-Piece Billet Aluminum Wheel w/Soft Roll Tire

Silver Hub **OR** Black Hub.....**\$190**

ARFW18 5"x1.5" Plastic Wheel w/Poly Tire.....**\$80**

ARFW9 6"x1" Plastic Wheel w/Poly Tire (Not available with 85° or 90° Front Angle **ⓐ**.).....**NCO**

ARFW11 6"x1" Billet Aluminum Wheel w/Poly Tire Silver Hub **OR** Black Hub (Not available with

85° or 90° Front Angle **ⓐ**.).....**\$170**

ARFW10 6"x1.25" Plastic Wheel w/Pneumatic Tire (Not available with 85° or 90° Front Angle **ⓐ**.).....**\$65**

ARFW12 6"x1.25" Billet Aluminum Wheel w/Pneumatic Tire Silver Hub **OR** Black Hub

(Not available with 85° or 90° Front Angle **ⓐ**.).....**\$165**

ARFW13 6"x1.25" 2-Piece Billet Aluminum Wheel w/Soft Roll Tire (Not available with 85° or 90° Front Angle **ⓐ**.).....**\$195**

ARFW16 8"x1" Plastic Wheel w/Poly Tire (Available with 70° Front Angle **ⓐ** only.).....**NCO**

ARFW17 8"x1.25" Plastic Wheel w/Pneumatic Tire (Available with 70° Front Angle **ⓐ** only.).....**\$80**

ARFRG1 Frog Legs® Suspension Forks (Available in Black anodize only. Not available with 8" Front Wheels.).....**\$425**

ARCPL1 Caster Pin Locks (Not available with Frog Legs®.).....**\$235**

ARFW0 Omit Front Wheels (Must choose Wheel Size above.).....**\$0**

REAR WHEELS See Rear Seat Height Ranges chart on Page 3 for Rear Seat Height **ⓐ** limitations.

ARRW14 TiLite SHADOW™ (Not available with Titanium Quick Release Axles.).....**STD**

22"(501)

24"(540)

25"(559) (Requires 15" minimum Seat Depth **ⓐ** with Medium Frame length.)

26"(590) (Requires 15" minimum Seat Depth **ⓐ** with Medium Frame length.)

ARRW5 TiLite High Flange Hub (Not available with Titanium Quick Release Axles.).....**\$270**

24"(540)

25"(559) (Requires 15" minimum Seat Depth **ⓐ** with Medium Frame length.)

26"(590) (Requires 15" minimum Seat Depth **ⓐ** with Medium Frame length.)

ARRW13 Golz TWIN-STAR Exchange (Not available with Titanium Quick Release Axles.).....**\$895**

24"(540)

25"(559) (Requires 15" minimum Seat Depth **ⓐ**.)

ARRW7 Spinergy SPOX Black Red Yellow Blue White**\$695**

22"(501) - Std. Hub

24"(540) - Std. Hub

25"(559) - Std. Hub (Requires 15" minimum Seat Depth **ⓐ**.)

26"(590) - Sport Hub (Requires 15" minimum Seat Depth **ⓐ**. Not available with Titanium Quick Release or Quad Release Axles.)

CHAIR OPTIONS**REAR WHEELS See Rear Seat Height Ranges chart on Page 3 for Rear Seat Height Ⓢ limitations.**

ARRW8 Spinergy LX	<input type="checkbox"/> Black	<input type="checkbox"/> Red	<input type="checkbox"/> Yellow	<input type="checkbox"/> Blue	<input type="checkbox"/> White	<input type="checkbox"/> Go Green	<input type="checkbox"/> Bright Orange	
	<input type="checkbox"/> Flamingo Pink (Please allow an additional 2-3 weeks delivery on Go Green, Bright Orange and Flamingo Pink.)							\$895
	<input type="checkbox"/> 22"(501) - Std. Hub							
	<input type="checkbox"/> 24"(540) - Std. Hub							
	<input type="checkbox"/> 25"(559) - Std. Hub (Requires 15" minimum Seat Depth Ⓢ.)							
	<input type="checkbox"/> 26"(590) - Sport Hub (Requires 15" minimum Seat Depth Ⓢ. Not available with Titanium Quick Release or Quad Release Axles.)							
ARRW11 Skyway Mags	<input type="checkbox"/> 22"	<input type="checkbox"/> 24"	(Not available with Short Tabs, Titanium Quick Release Axles, Quad Release Axles or Spoke Guards or Heavy Duty Edition.)					\$60
ARRW0	<input type="checkbox"/> Omit Rear Wheels (Must choose Wheel Size and Tire Type below.)							\$0

AXLES

ARAXL1	<input type="checkbox"/> Stainless Quick Release	STD
ARAXL2	<input type="checkbox"/> Titanium Quick Release (Not available with TiLite High Flange Hub, SHADOW, Skyway Mags, 26"(590) Spinergy SPOX or LX Rear Wheels or Power Adaptable Frame.)	\$210
ARAXL3	<input type="checkbox"/> Quad Release (Not available with Skyway Mags or 26"(590) Spinergy Spox or LX Rear Wheels.)	\$115

PNEUMATIC REAR TIRES

ARRTR1	<input type="checkbox"/> Treaded (Not available with 25" (559) Rear Wheels.)	STD
ARRTR2	<input type="checkbox"/> Airless Inserts	\$90
ARRTR3	<input type="checkbox"/> 25" Primo Treaded (Standard with 25"(559) Rear Wheels.)	STD
ARRTR4	<input type="checkbox"/> Primo	NCO
ARRTR5	<input type="checkbox"/> Kenda® High Pressure (110psi) <input type="checkbox"/> Grey <input type="checkbox"/> Red <input type="checkbox"/> Blue (Available with 24" (540), 25"(559) and 26"(590) Rear Wheels.)	\$95
ARRTR6	<input type="checkbox"/> 24" Grey Knobby (Requires TiLite High Flange Hub.)	\$95
ARRTR7	<input type="checkbox"/> 26" Black Knobby (Requires TiLite High Flange Hub or Spinergy SPOX or Spinergy LX Rear Wheels.)	\$95
ARRTR8	<input type="checkbox"/> 24", 25" and 26" Schwalbe® Marathon Plus Evolution	\$90
ARRTR9	<input type="checkbox"/> 24" and 25" Schwalbe® SpeedRun	\$125

SOLID REAR TIRES

ARRTR11	<input type="checkbox"/> 22" (501) Pyramid	\$85
ARRTR13	<input type="checkbox"/> 24"(540) and 25"(559) Herringbone Tread	\$95
ARRTR15	<input type="checkbox"/> 24"(540) and 25"(559) Treaded	\$95

HANDRIMS**Handrims by OUT-FRONT®**

ARRIM1	<input type="checkbox"/> Aluminum – Silver Anodized	STD
	Titanium (Not available with Skyway Mags, 22" Rear Wheels, or 24" Knobby tires.)	
ARRIM12	<input type="checkbox"/> Satin Finish	\$440
ARRIM13	<input type="checkbox"/> Polished Finish	\$615
	The Natural-Fit® (Original, Larger Profile) (Not available with 22" Skyway Mags.)	
ARRIM14	<input type="checkbox"/> Standard Grip (Not available with Short Tabs.)	\$325
ARRIM15	<input type="checkbox"/> Super Grip (Not available with Short Tabs.)	\$375
ARRIM16	<input type="checkbox"/> Without Thumb Grip	\$295
	The Natural-Fit® LT (Reduced Weight, Smaller Profile) (Not available with 22" Skyway Mags.)	
ARRIM17	<input type="checkbox"/> Standard Grip (Not available with Short Tabs.)	\$360
ARRIM18	<input type="checkbox"/> Super Grip (Not available with Short Tabs.)	\$405
ARRIM19	<input type="checkbox"/> Without Thumb Grip	\$330
ARRIM10	<input type="checkbox"/> The Surge (All-In-One Oval with Gription™ Strip, Larger Profile) (Not available with 22" Skyway Mags.)	\$325
ARRIM11	<input type="checkbox"/> The Surge LT (All-In-One Oval with Gription™ Strip, Smaller Profile) (Not available with 22" Skyway Mags.)	\$360
ARRIM20	<input type="checkbox"/> Q-Grip (Exclusive High-Friction, Anti-Slip Coating) (Not available with 22" or 26" Rear Wheels or Skyway Mags.)	\$285

Additional Handrims

ARRIM9	<input type="checkbox"/> Spinergy FlexRim (Available only on 24" and 25" Spinergy LX Rear Wheels. Please allow an additional 2-3 weeks delivery.)	\$525
ARRIM5	<input type="checkbox"/> Plastic Coated – Black	\$105
ARRIM6	<input type="checkbox"/> Projections - 8 Vertical Projections (Not available with 22" or 26" Rear Wheels or Skyway Mags.)	\$265
ARRIM0	<input type="checkbox"/> Omit Handrims	\$0

Tab Length

ARRIM7	<input type="checkbox"/> Long Tabs	STD
ARRIM8	<input type="checkbox"/> Short Tabs (Not available with Skyway Mags or The Natural-Fit® Handrims with Thumb Grip.)	\$20

WHEEL LOCKS

ARWLK7	<input type="checkbox"/> Compact Composite Push to Lock (Available with .75" to 1.5" Rear Wheel Spacing Ⓢ only.)	NCO
ARWLK8	<input type="checkbox"/> Compact Composite Pull to Lock (Available with .75" to 1.5" Rear Wheel Spacing Ⓢ only.)	NCO
ARWLK10	<input type="checkbox"/> Extension Handles for Compact Composite Push/Pull to Lock	\$75
ARWLK9	<input type="checkbox"/> Composite Scissor Lock (Not available on Aero R Swing Away.)	\$110
ARWLK5	<input type="checkbox"/> Black Aluminum Scissor Lock (Not available on Aero R Swing Away.)	\$150
ARWLK3	<input type="checkbox"/> Uni-Lock Set At: <input type="checkbox"/> Push OR <input type="checkbox"/> Pull	\$135
ARWLK4	<input type="checkbox"/> Extension Handles for Uni-Lock	\$75

CHAIR OPTIONS**UPHOLSTERY COLORS**

ARUPC1 Black.....**STD**
 ARUPC3 **Ultrasuede Backrest Stripe** **Black** **Sapphire** **Red Pepper** **Burnt Orange** **Sub-Lime**
 Ultraviolet **Espresso**.....**\$90**

BACK UPHOLSTERY

ARBUP2 Velcro Adjustable (Not available with Fold-Down Push Handles.).....**STD**
 ARBUP3 Tension Adjustable by Straps (Required with Fold-Down Push Handles.).....**\$95**
 ARBUP0 Omit Back Upholstery.....**NCO**
 ARBUP4 Ride Designs® Corbac™ Adjustable Contour Back Support (Black Only. Not available with Fold-Down Push Handles. See Chart Below.).....**\$455**

CORBAC™ SEAT WIDTH/BACK HEIGHT AVAILABILITY CHART

Rear Seat Width A	Seat Back Height B
14"	13" - 15"
15"	13" - 16"
16"	14" - 16"
17"	14" - 16"
18"	14" - 16"

SEAT UPHOLSTERY

ARSUP1 Tension Adjustable Bolt On (Black upholstery only.).....**STD**
 ARSUP5 Aluminum Solid Seat**\$245**
 ARSUP0 Omit Seat Upholstery.....**NCO**

SEAT CUSHIONS

ARCSH1 Foam Cushion 2" 3" 4".....**\$105**

SIDE GUARDS

ARSDG1 Cloth (Not available with Ride Designs® Corbac™ Back Support.).....**\$75**

Aluminum

ARSDG2 Rigid Removable Small **OR** Std.....**\$175**
 ARSDG3 Quad Removable w/Hole Small **OR** Std.....**\$185**
 ARSDG4 Fold Down Rigid Small **OR** Std.....**\$295**

Carbon Fiber

ARSDG7 Rigid Removable Small **OR** Std.....**\$290**
 ARSDG8 Quad Removable w/Hole Small **OR** Std.....**\$295**
 ARSDG9 Fold Down Rigid Small **OR** Std.....**\$370**
 ARSDG12 Fendered Removable.....**\$415**

Available on Aluminum and Carbon Fiber Non-Fendered Side Guards

ARSDG13 Side Guards Custom Cut to Profile of Rear Wheels (Not available with Cloth.).....**\$295**

ARMRESTS

ARARM1 Swing Away Tubular.....**\$195**
 9" - 12" **OR** 11" - 14"

ARARM2 Removable Height Adjustable Desk Arm with Rigid Side Guard (Requires 14" minimum Seat Depth **B**.).....**\$295**
 Standard Length Pad (10") **OR** Full Length Pad (14")
 9" to 12" **OR** 12" to 15"

ARARM3 Removable Height Adjustable Desk Arm with Rigid Side Guard and Transfer Loop (Requires 15" minimum Seat Depth **B**.).....**\$340**
 Standard Length Pad (10") **OR** Full Length Pad (14")
 9" to 12" **OR** 12" to 15"

Available on all Armrests

ARARM5 Covered in Black Ultrasuede.....**\$90**

CHAIR OPTIONS**SEAT BELTS**

ARBLT1 <input type="checkbox"/> Velcro Adjustable, Black Nylon Webbing.....	\$50
ARBLT2 <input type="checkbox"/> Bodypoint® 2" Push-Button Buckle (Auto-Style.).....	\$95
ARBLT4 <input type="checkbox"/> Bodypoint® 1" Wide Push-Button Buckle Padded (Auto-Style.).....	\$155
ARBLT5 <input type="checkbox"/> Bodypoint® 1.5" Wide Push-Button Buckle Padded (Auto-Style.).....	\$155
ARBLT6 <input type="checkbox"/> Bodypoint® 1.5" Wide Rehab Latch Buckle Padded (Airline-Style.).....	\$155
ARBLT7 <input type="checkbox"/> Bodypoint® 1.5" Wide Plastic Side Release Padded.....	\$120

CALF STRAP

ARCLF1 <input type="checkbox"/> Buckle Adjustable, Black Nylon Webbing.....	\$25
ARCLF2 <input type="checkbox"/> Velcro Adjustable	\$40
<input type="checkbox"/> Small (Recommended for 12"- 15" Seat Widths)	
<input type="checkbox"/> Medium (Recommended for 14"- 18" Seat Widths)	
<input type="checkbox"/> Large (Recommended for 17"- 19" Seat Widths)	
<input type="checkbox"/> Xtra Large (Recommended for 18"- 20" Seat Widths)	
ARCLF3 <input type="checkbox"/> Bodypoint® Padded Velcro Adjustable	\$85
<input type="checkbox"/> Medium (Recommended for 12"- 15" Seat Widths)	
<input type="checkbox"/> Large (Recommended for 16"- 20" Seat Widths)	

BACK PACK

ARBCK1 <input type="checkbox"/> Small - Black Nylon	\$55
ARBCK2 <input type="checkbox"/> Large - Black Nylon.....	\$70

SEAT POUCH

ARPC1 <input type="checkbox"/> Small - Black Nylon.....	\$45
ARPC2 <input type="checkbox"/> Large - Black Nylon.....	\$50


SPOKE GUARDS

ARGRD1 <input type="checkbox"/> Clear with TiMotion Logo (Not available with Skyway Mags.)	\$85
--	------

ANTI-TIPS

ARTIP1 <input type="checkbox"/> Rear Aluminum - Black.....	\$0.00
ARTIP2 <input type="checkbox"/> User Friendly Rear Flip-up.....	\$250

ACCESSORIES

ARUEST1 <input type="checkbox"/> Upper Extremity Support Tray <input type="checkbox"/> 12" to 14" OR <input type="checkbox"/> 13" to 15" Seat Widths  (Requires Armrests.).....	\$250
ARLUG1 <input type="checkbox"/> Luggage Carriers (Not available with High Mount Swing Away Footrests or 1-Piece Flip-up Footrest.).....	\$140
ARMPCT2 <input type="checkbox"/> Neoprene Impact Guards with Ultrasuede Stripe (Not available with High Mount Footrests or 90° Hangers.) <input type="checkbox"/> Black <input type="checkbox"/> Sapphire <input type="checkbox"/> Red Pepper <input type="checkbox"/> Burnt Orange <input type="checkbox"/> Sub-Lime <input type="checkbox"/> Ultraviolet <input type="checkbox"/> Espresso.....	\$95
ARCAT1 <input type="checkbox"/> Catch-All.....	\$150
ARCH1 <input type="checkbox"/> Crutch Holder.....	\$95
ARTRVL1 <input type="checkbox"/> Travel Wheels (Not available with Anti-Tips, or Amputee Adapter.).....	\$260
ARTS1 <input type="checkbox"/> TiLite T-Shirt <input type="checkbox"/> Small <input type="checkbox"/> Medium <input type="checkbox"/> Large <input type="checkbox"/> X-Large <input type="checkbox"/> XX-Large.....	\$25
ARHS1 <input type="checkbox"/> TiLite 9 Piece SAE Round Handle Folding Hex Key Set.....	\$25

DESIGNS UNLIMITED

TiLite's Aero R offers hundreds of different frame combinations! But sometimes even that's not enough. If you would like to customize your TiLite, check out the Designs Unlimited Studio at tilite.com. There you will find drawings and pricing for hundreds of creative solutions to customers' customization requests. We call these "D.U.'s." If you don't find the D.U. you're looking for, contact the TiLite Customer Service Team. Designs Unlimited customization may add an additional 2 to 3 weeks to the ship time of your chair.

GENERAL

TiLite manufactures a wide variety of wheelchairs to meet the varied needs of wheelchair users. The final selection of a particular model, its options and accessories, and its measurements rests solely with the wheelchair user and advising healthcare professional. TiLite wheelchairs must be fitted by a qualified healthcare professional.

Get the latest order forms at tilite.com. Prices, standard features, options and accessories are subject to change without notice. All rights reserved. Trademarks are identified by symbols™ and ®. TiLite, the TiLite logo, Ti, the Ti logo, The Titanium Experts, TiShaft and The Ultimate Ride are registered trademarks of TiSport, LLC. Adobe®, Acrobat®, Acrobat Professional® and Reader® are registered trademarks of Adobe Systems Inc. Bodypoint® is a registered trademark of Bodypoint Inc. Frog Legs® is a registered trademark of Frog Legs, Inc. Kenda® is a registered trademark of Kenda Rubber Industrial Co Ltd. Ride Designs® and Corbac® are registered trademarks of Aspen Seating, LLC. ROHO®, Low Profile® and Quadro Select® are registered trademarks of ROHO Inc. Schwalbe® is a registered trademark of Ralf Bohle GmbH. The Natural-Fit® is a registered trademark of Three Rivers Holdings, LLC. Varilite® is a registered trademark of Cascade Designs, Inc.