

TiLite 2GX Order Form

Effective January 1, 2012 (New Items in Red)

TITANIUM FOLDING FRAME

Page 1 of 8

DEALER INFORMATION		RTS INFORMATION	
Dealer:		RTS:	Phone:
Account:	PO:	Email:	
Ordered By:		SHIP TO INFORMATION	
Address:		Name:	Ship Via:
City:	State: Zip:	Address:	
Phone:	Fax:	City:	State: Zip:
Email:		Phone:	Fax:
Mark For:		TiLite Information	
		Ship Date:	Order #:

Please Fax or Email orders to the SDL Customer Service Team



TiLite 2GX Fixed Front shown with Rigid Folding Mechanism "RFM" and other available options.

TiLite 2GX Swing Away shown with Rigid Folding Mechanism "RFM" and other available options.

FRAME STYLE

TiLite 2GX (250 Pound Weight Limit.)

- GXFS1 **Swing Away**\$3,895
- GXFS3 **Hemi Height Frame** (Available with a Front Seat Height **C** of 13.5" - 20". Not available with Heavy Duty Edition or Depth Adjustable Back.)NCO

- GXFS2 **Fixed Front**\$3,895

- GXHDR1 **Heavy Duty Edition** (350 Pound Weight Limit. Includes Folding Stabilizer Bar and Tension Adjustable by Straps Back Upholstery. Available in 18" to 22" Seat Widths **A** and 16" to 20" Seat Depths **B**.).....\$470
- GXRFR1 **Reinforced Frame** (No charge when 20" Rear Seat Width **A** and 20" Seat Depth **B** are selected.).....\$470

WHEELCHAIR TRANSPORT BRACKET OPTION

- GXWTB **Wheelchair Transport Bracket Option** (Consists of four factory-installed wheelchair transport brackets. Unoccupied Use Only. Not available with GXSD7/GXSD15 Short Frame Lengths.).....\$260

THIS SECTION MUST BE READ

The TiLite 2GX with Wheelchair Transport Bracket Option (GXWTB) was NOT crash-tested in accordance with ISO 7176-19 or ANSI/RESNA WC19. Therefore, the Wheelchair Transport Bracket Option is intended ONLY to secure an unoccupied wheelchair in a motor vehicle. The U.S. Department of Transportation has not approved any tie-down system for transportation of a user while in a wheelchair in a moving vehicle of any type. It is TiLite's position that users of wheelchairs should be transferred into appropriate seating in motor vehicles and use the restraints made available by the auto industry.



THE ULTIMATE RIDE.®

tilite.com
 2701 West Court Street | Pasco, Washington 99301
 509.586.6117 Tel | 800.545.2266 Toll-Free
 509.586.2413 Fax | 866.586.2413 Toll-Free Fax

THE TITANIUM EXPERTS.®

FRAME FINISHES

Natural Titanium

- GXFF1 SatinSTD
- GXSCBT1 Satin Finish Buffing Pads.....\$20
- GXFF2 Polished\$760
- GXFF3 Tattooed Titanium™ (Tattoos on front frame tubes. Frame finished in Satin.)\$295
- GXFF4 Rock & Roll
- GXFF5 Retro



GXFF6 Mother Nature



GXFF7 Henna



High Gloss Paint

GXFF8 Super Wet Black

GXFF9 Sunburst Yellow

GXFF10 TiLite Red

Metallic Paint

GXFF11 Military Green

GXFF12 Orange Crush

GXFF13 Hot Pink

Pearlescent Paint

GXFF14 Ocean Blue Metallic

GXFF15 Tangerine Metallic

GXFF16 Salsa Red Metallic

Matte Paint

GXFF17 Midnight Blue Pearl

GXFF18 White Pearl

GXFF21 Scarlet Ice

Candy Paint

GXFF19 Black Lava

GXFF20 Deep Blue Ice

GXFF27 Titanium Grey

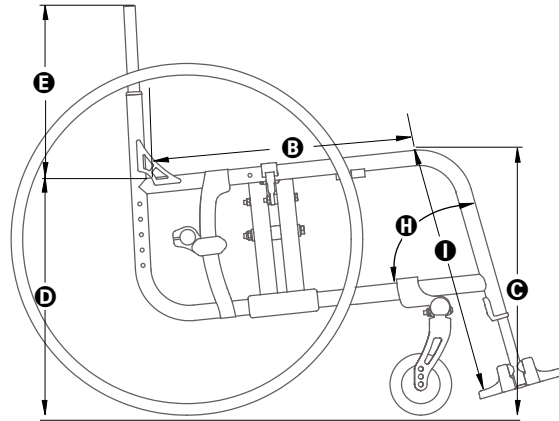
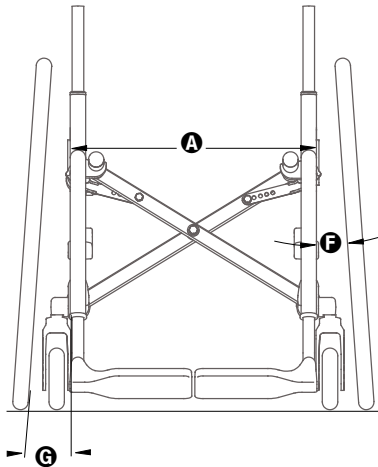
GXFF23 Azure Blue

GXFF24 Root Beer Candy

GXFF22 Ruby Red

GXFF26 Atomic GreenSTD

FRAME MEASUREMENTS



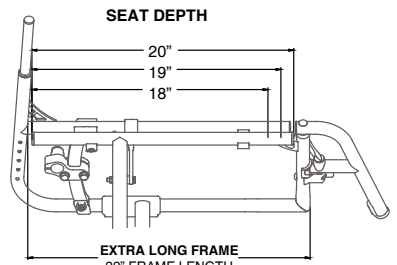
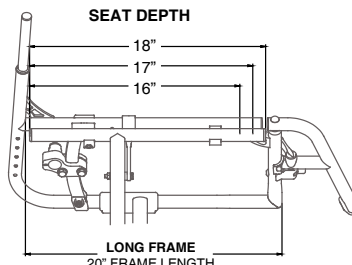
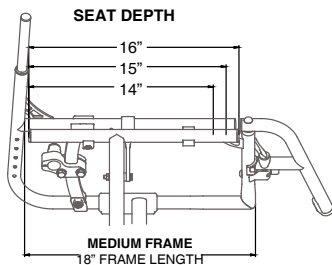
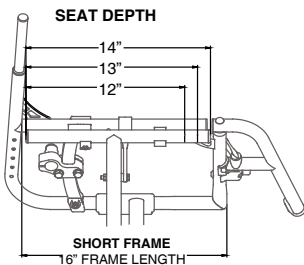
SEAT WIDTH A Measure from outside of seat tube at back post to the outside of the opposite seat tube at back post.

- GXSW1 12" 13" 14" 15" 16" 17" 18" 19".....STD
- GXSW3 20" 21" 22" (21" and 22" Seat Widths are only available with Heavy Duty Frame.).....\$450

SEAT DEPTH B Measure from 1/2" in front of back post to the front edge of seat sling. (14" Seat Depth B not available with 25" and 26" Rear Wheels.)

TILITE 2GX SWING AWAY SEAT DEPTH B /FRAME LENGTH CHART (Select one Frame Length and one Seat Depth.)

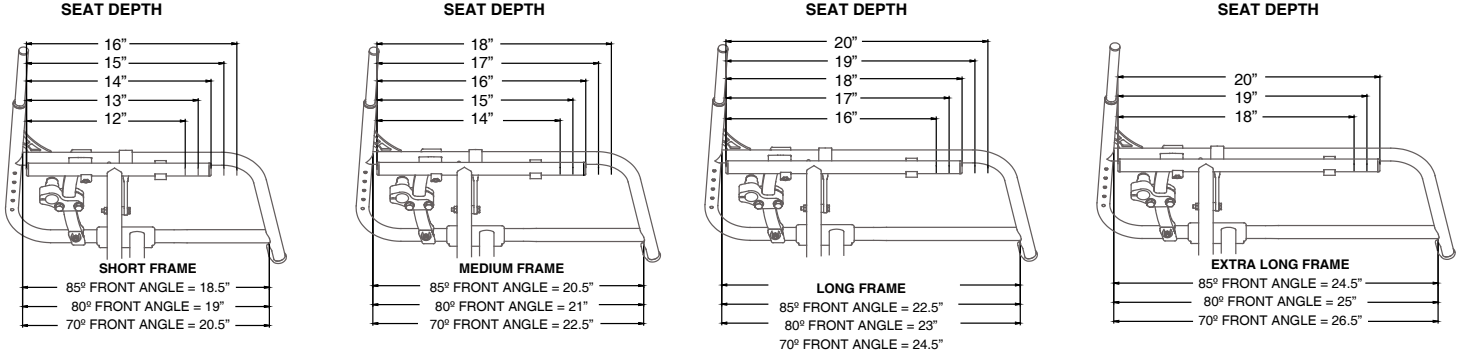
Frame Length	Seat Depth	
GXSD7 <input type="checkbox"/> Short	<input type="checkbox"/> 12" <input type="checkbox"/> 13" <input type="checkbox"/> 14" (Wheelchair Transport Brackets are not available with GXSD7 Short Frame Length.).....	STD
GXSD8 <input type="checkbox"/> Medium	<input type="checkbox"/> 14" <input type="checkbox"/> 15" <input type="checkbox"/> 16".....	STD
GXSD10 <input type="checkbox"/> Long	<input type="checkbox"/> 16" <input type="checkbox"/> 17" <input type="checkbox"/> 18".....	STD
GXSD12 <input type="checkbox"/> Extra Long	<input type="checkbox"/> 18" <input type="checkbox"/> 19".....	STD
GXSD14 <input type="checkbox"/> Extra Long	<input type="checkbox"/> 20".....	\$475



FRAME MEASUREMENTS

TILITE 2GX FIXED FRONT SEAT DEPTH ③ /FRAME LENGTH CHART (Select one Frame Length and one Seat Depth.)

Frame Length	Seat Depth	
GXSD15 <input type="checkbox"/> Short	<input type="checkbox"/> 12" <input type="checkbox"/> 13" <input type="checkbox"/> 14" <input type="checkbox"/> 15" <input type="checkbox"/> 16"	(Transport Brackets are not available with GXSD15 Short Frame Length.)..... STD
GXSD18 <input type="checkbox"/> Medium	<input type="checkbox"/> 14" <input type="checkbox"/> 15" <input type="checkbox"/> 16" <input type="checkbox"/> 17" <input type="checkbox"/> 18" STD
GXSD20 <input type="checkbox"/> Long	<input type="checkbox"/> 16" <input type="checkbox"/> 17" <input type="checkbox"/> 18" <input type="checkbox"/> 19" STD
GXSD22 <input type="checkbox"/> Long	<input type="checkbox"/> 20" \$475
GXSD23 <input type="checkbox"/> Extra Long	<input type="checkbox"/> 18" <input type="checkbox"/> 19" STD
GXSD24 <input type="checkbox"/> Extra Long	<input type="checkbox"/> 20" \$475



FRONT SEAT HEIGHT ④ Measure from floor to top of seat tube at beginning of bend. Adjustable in 1/2" increments. (13.5" - 15" Front Seat Height ④ requires Hemi Height Frame Style. 20.5" - 22" Front Seat Height ④ not available with Hemi Height Frame Style.)

FRONT SEAT HEIGHT RANGES

Front Caster Size	Front Seat Heights ④	Hemi Front Seat Heights ④	
3" Front Caster	15.5" - 19.5"	13.5" - 17.5"	
3" Front Caster w/Frog Legs®	17.5" - 19.0"	15.0" - 17.5"	
4" Front Caster	16.5" - 20.0"	14.5" - 18.0"	
4" Front Caster w/Frog Legs®	17.5" - 19.5"	15.0" - 17.5"	GXFSH1 <input type="checkbox"/> 13.5" <input type="checkbox"/> 14" <input type="checkbox"/> 14.5" <input type="checkbox"/> 15"
5" Front Caster	17.5" - 21.0"	15.5" - 18.5"	<input type="checkbox"/> 15.5" <input type="checkbox"/> 16" <input type="checkbox"/> 16.5" <input type="checkbox"/> 17"
5" Front Caster w/Frog Legs®	18.5" - 20.0"	16.0" - 18.5"	<input type="checkbox"/> 17.5" <input type="checkbox"/> 18" <input type="checkbox"/> 18.5" <input type="checkbox"/> 19"
6" Front Caster	18.0" - 21.0"	16.5" - 19.0"	<input type="checkbox"/> 19.5" <input type="checkbox"/> 20" <input type="checkbox"/> 20.5" <input type="checkbox"/> 21"
6" Front Caster w/Frog Legs®	19.5" - 20.5"	17.0" - 18.5"	<input type="checkbox"/> 21.5" <input type="checkbox"/> 22" STD
8" Front Caster	20.0" - 22.0"	18.5" - 20.0"	

REAR SEAT HEIGHT ⑤ Measure from floor to top of seat tube at back post. Adjustable in 3/8" increments.

REAR SEAT HEIGHT RANGES

Rear Wheel Size	Rear Seat Height ⑤	
22"	13" - 18"	GXRSH1 <input type="checkbox"/> 13" <input type="checkbox"/> 13.5" <input type="checkbox"/> 14"
24"	14" - 19"	<input type="checkbox"/> 14.5" <input type="checkbox"/> 15" <input type="checkbox"/> 15.5"
25"	14" - 19"	<input type="checkbox"/> 16" <input type="checkbox"/> 16.5" <input type="checkbox"/> 17"
26"	15" - 20"	<input type="checkbox"/> 17.5" <input type="checkbox"/> 18" <input type="checkbox"/> 18.5"
		<input type="checkbox"/> 19" <input type="checkbox"/> 19.5" <input type="checkbox"/> 20"..... STD

SEAT BACK HEIGHT ⑥/SEAT BACK/PUSH HANDLES Measure from top of back post to top of seat tube at rear of frame.

SEAT BACK TYPE

GXSB13 <input type="checkbox"/> Fixed Angle, Adjustable-Height Seat Back.....	STD
GXLB1 <input type="checkbox"/> Folding Stabilizer Bar (Included with Heavy Duty Edition.).....	\$350
GXSB14 <input type="checkbox"/> Fixed Angle, Adjustable Height Seat Back w/8-Degree Bend.....	NCO
GXSB18 <input type="checkbox"/> Folding Adjustable-Angle and Height Seat Back (Not available with Heavy Duty Edition or Ride Designs® Corbac™.).....	\$220
GXSB16 <input type="checkbox"/> Depth Adjustable Back/Frame (Not Available with Hemi Height Frame, Heavy Duty Edition or 19" or 20" Seat Depths ③ or Swing Away Tubular Armrest. Seat Depths ③ of 12"-17" allow 3" of rearward adjustment. Seat Depth ③ of 18" allow 2" of rearward adjustment.).....	\$195
GXSRE1 <input type="checkbox"/> Seat Rail Extensions for Depth Adjustable Back/Frame (Seat Rail Extensions to Rigid Folding Mechanism (cross-brace) to extend Seat Depth ③.) <input type="checkbox"/> 1" <input type="checkbox"/> 2" <input type="checkbox"/> 3".....	\$105

PUSH HANDLES

GXSB6 <input type="checkbox"/> Integrated Push Handles.....	NCO
GXSB7 <input type="checkbox"/> Integrated Fold-Down Push Handles (Requires Tension Adjustable by Straps Back Upholstery. Not available with Heavy Duty Edition.).....	\$105
GXSB9 <input type="checkbox"/> Bolt-On Height Adjustable Push Handles (Requires Tension Adjustable by Straps Back Upholstery. Not available with Folding Adjustable-Angle and Height Seat Back, Swing Away Tubular Armrests, Swing Away - Flip Back Tubular Armrests, Heavy Duty Edition or Ride Designs® Corbac™.).....	\$245

FRAME MEASUREMENTS

FIXED ANGLE ADJUSTABLE SEAT BACK HEIGHT ⑥ (11"- 15" Fixed Seat Back Height not available with Heavy Duty Edition, 12"-15" Swing Away Tubular Arms, Bolt-On Adjustable Height Push Handles or Folding Stabilizer Bar.)

Push Handles	Medium	Tall	Set at: (Use 1" increments)
None	<input type="checkbox"/> 11"- 15"	<input type="checkbox"/> 16"- 20"	Set at: _____
Integrated	<input type="checkbox"/> 11"- 15"	<input type="checkbox"/> 16"- 20"	Set at: _____
Integrated Fold-Down	<input type="checkbox"/> 11"- 15"	<input type="checkbox"/> 16"- 20"	Set at: _____
Bolt-On Height Adj	<input type="checkbox"/> 11"- 15"	<input type="checkbox"/> 16"- 20"	Set at: _____

FOLDING ADJUSTABLE- ANGLE AND HEIGHT SEAT BACK ⑦

Push Handles	Short	Medium	Tall	Set at: (Use 1/2" increments)
None	<input type="checkbox"/> 11"- 13"	<input type="checkbox"/> 13.5"- 16.5"	<input type="checkbox"/> 16.5"- 19.5"	Set at: _____
Integrated	<input type="checkbox"/> 13"- 15"	<input type="checkbox"/> 14"- 17"	<input type="checkbox"/> 17"- 20"	Set at: _____
Integrated Fold-Down	<input type="checkbox"/> 14.5"- 16.5"	<input type="checkbox"/> 16.5"- 18.5"	<input type="checkbox"/> 17.5"- 20.5"	Set at: _____

CAMBER ⑧

GXCBR8 <input type="checkbox"/> 0° <input type="checkbox"/> 2° <input type="checkbox"/> 4° <input type="checkbox"/> 6° <input type="checkbox"/> 8°.....	STD
GXCBR10 Additional Camber Plug (Pair) <input type="checkbox"/> 0° <input type="checkbox"/> 2° <input type="checkbox"/> 4° <input type="checkbox"/> 6° <input type="checkbox"/> 8°.....	\$105

FRONT TAPER ⑨/FRONT ANGLE ⑩ If no Front Taper is selected, footrest width will be 2" narrower than Seat Width ①. If 2" taper is selected, footrest width will be 4" narrower than Seat Width ①. Front Angle ⑩ is measured from inside of front frame tube to top of bottom frame tube.

2GX Swing Away Front End

GXFA3 <input type="checkbox"/> 70° <input type="checkbox"/> 80° <input type="checkbox"/> 85° <input type="checkbox"/> 90° Front Angle with No Taper.....	STD
GXFA4 <input type="checkbox"/> 80° Front Angle with 2" Taper (Not available with Elevating Leg Rest.).....	\$155
GXFA5 <input type="checkbox"/> Elevating Leg Rest <input type="checkbox"/> L or <input type="checkbox"/> R (When choosing a left or right Elevating Leg Rest, please select the opposite Front Angle (GXFA3), above. Not available with 14" or narrower Seat Width ①.).....	\$150
GXFA7 <input type="checkbox"/> Pair.....	\$290
GXFA0 <input type="checkbox"/> Omit Hangers.....	\$0.00

2GX Fixed Front End

GXFA6 <input type="checkbox"/> 70° <input type="checkbox"/> 80° <input type="checkbox"/> 85° Front Angle with No Taper.....	STD
---	------------

SEAT TO FOOTREST ⑪/FOOTRESTS Measure from front edge of seat sling to top rear of footrest. **Measurement must be at least 2" shorter than Front Seat Height ⑫.**

If your Front Angle ⑩ is **70°, 80° OR 85° WITH NO TAPER**, select one Seat to Footrest ⑪ length and one Footrest type:

Standard Footrests

<input type="checkbox"/> 14" <input type="checkbox"/> 14.5" <input type="checkbox"/> 15" <input type="checkbox"/> 15.5" <input type="checkbox"/> 16" <input type="checkbox"/> 16.5" <input type="checkbox"/> 17" <input type="checkbox"/> 17.5" <input type="checkbox"/> 18" <input type="checkbox"/> 18.5" <input type="checkbox"/> 19"	
<input type="checkbox"/> 19.5" <input type="checkbox"/> 20"	
GXFTR5 <input type="checkbox"/> Flip-up Footrest.....	STD
GXFTR6 <input type="checkbox"/> 1- Piece Flip-up Footrest (Pivot on <input type="checkbox"/> L or <input type="checkbox"/> R) (Not available with Heel Loops.).....	\$130
GXFTR7 <input type="checkbox"/> 1-Piece, Over-Center Folding Footrest (Fixed Front Only. Not available with Heel Loops.).....	\$130
GXFTR8 <input type="checkbox"/> 1-Piece, Over-Center Angle Adjustable Footrest (Fixed Front Only. Not available with Heel Loops. Available for 15"- 20" Seat to Footrest ⑩ only.).....	\$310
GXFTR9 <input type="checkbox"/> Depth Adjustable Flip-up Footrest.....	\$100
GXFTR10 <input type="checkbox"/> Depth & Angle Adjustable Flip-up Footrest (Available for 15"- 20" Seat to Footrest ⑩ only.).....	\$245
GXFTR11 <input type="checkbox"/> Angle Adjustable Flip-up Footrest (Available for 15"- 20" Seat to Footrest ⑩ only.).....	\$205

High Mount Footrests (Not Available with Luggage Carriers or Impact Guards.)

<input type="checkbox"/> 7" <input type="checkbox"/> 7.5" <input type="checkbox"/> 8" <input type="checkbox"/> 8.5" <input type="checkbox"/> 9" <input type="checkbox"/> 9.5" <input type="checkbox"/> 10" <input type="checkbox"/> 10.5" <input type="checkbox"/> 11" <input type="checkbox"/> 11.5" <input type="checkbox"/> 12" <input type="checkbox"/> 12.5"	
<input type="checkbox"/> 13" <input type="checkbox"/> 13.5" <input type="checkbox"/> 14" <input type="checkbox"/> 14.5"	
GXFTR12 <input type="checkbox"/> High Mount Flip-up.....	\$175
GXFTR13 <input type="checkbox"/> Depth Adjustable High Mount Flip-up Footrest.....	\$195
GXFTR15 <input type="checkbox"/> Angle Adjustable High Mount Flip-up Footrest.....	\$295
GXFTR16 <input type="checkbox"/> Depth & Angle Adjustable High Mount Flip-up Footrest.....	\$340

Elevating Leg Rest

<input type="checkbox"/> 14" <input type="checkbox"/> 14.5" <input type="checkbox"/> 15" <input type="checkbox"/> 15.5" <input type="checkbox"/> 16" <input type="checkbox"/> 16.5" <input type="checkbox"/> 17" <input type="checkbox"/> 17.5" <input type="checkbox"/> 18" <input type="checkbox"/> 18.5"	
<input type="checkbox"/> 19" <input type="checkbox"/> 19.5" <input type="checkbox"/> 20" <input type="checkbox"/> 20.5" <input type="checkbox"/> 21" <input type="checkbox"/> 21.5"	
GXFTR17 <input type="checkbox"/> Depth Adjustable Flip-up Footrest.....	STD

FRAME MEASUREMENTS

If your Front Angle **ⓐ** is **80° WITH 2" TAPER**, select one Seat to Footrest **ⓑ** length and one Footrest type:

<input type="checkbox"/> 14"	<input type="checkbox"/> 14.5"	<input type="checkbox"/> 15"	<input type="checkbox"/> 15.5"	<input type="checkbox"/> 16"	<input type="checkbox"/> 16.5"	<input type="checkbox"/> 17"	<input type="checkbox"/> 17.5"	<input type="checkbox"/> 18"	<input type="checkbox"/> 18.5"	<input type="checkbox"/> 19"
<input type="checkbox"/> 19.5" <input type="checkbox"/> 20"										
GXFTR5 <input type="checkbox"/> Flip-up Footrest.....										STD
GXFTR6 <input type="checkbox"/> 1-Piece Flip-up Footrest (Pivot on <input type="checkbox"/> L or <input type="checkbox"/> R) (Not available with Heel Loops.).....										\$130
GXFTR9 <input type="checkbox"/> Depth Adjustable Flip-up Footrest.....										\$100
GXFTR10 <input type="checkbox"/> Depth & Angle Adjustable Flip-up Footrest (Available for 15"- 20" Seat to Footrest ⓑ only.)										\$245
GXFTR11 <input type="checkbox"/> Angle Adjustable Flip-up Footrest (Available for 15"- 20" Seat to Footrest ⓑ only.)										\$205

If your Front Angle **ⓐ** is **90°**, select one Seat to Footrest **ⓑ** length and one Footrest type:

<input type="checkbox"/> 7"	<input type="checkbox"/> 8"	<input type="checkbox"/> 9"	<input type="checkbox"/> 10"	<input type="checkbox"/> 11"	<input type="checkbox"/> 12"	<input type="checkbox"/> 13"
GXFTR5 <input type="checkbox"/> Flip-up Footrest.....						STD
GXFTR9 <input type="checkbox"/> Depth Adjustable Flip-up Footrest.....						\$100
GXFTR10 <input type="checkbox"/> Depth & Angle Adjustable Flip-up Footrest.....						\$245

GXHLP1 **Heel Loops** (Not available with 13" or narrower Seat Width **ⓐ** or 1-Piece Footrests.)..... \$50

CHAIR OPTIONS

FRONT WHEELS See Front Seat Height Ranges chart on Page 3 for Front Seat Height **ⓐ** limitations.

GXFW1 <input type="checkbox"/> 3"x.75"	Micro-Caster (Not available with Heavy Duty Edition.)	NCO
GXFW2 <input type="checkbox"/> 3"x.75"	Light-Up Micro-Caster (Not available with Heavy Duty Edition.).....	\$70
GXFW14 <input type="checkbox"/> 4"x.75"	Plastic Wheel w/Poly Tire (Not available with Heavy Duty Edition.).....	NCO
GXFW3 <input type="checkbox"/> 4"x.75"	Light-Up Micro-Caster (Not available with Heavy Duty Edition.).....	\$70
GXFW19 <input type="checkbox"/> 4"x.75"	Performance 5 Spoke Billet Aluminum Wheel w/Poly Tire <input type="checkbox"/> Silver Hub OR <input type="checkbox"/> Black Hub.....	\$130
GXFW20 <input type="checkbox"/> 4"x1"	Performance 5 Spoke 2-Piece Billet Aluminum Wheel w/Soft Roll Tire <input type="checkbox"/> Silver Hub OR <input type="checkbox"/> Black Hub.....	\$170
GXFW15 <input type="checkbox"/> 4"x1.5"	Plastic Wheel w/Poly Tire (Not available with Heavy Duty Edition.).....	\$80
GXFW6 <input type="checkbox"/> 5"x1"	Plastic Wheel w/Poly Tire (Not available with Heavy Duty Edition.).....	STD
GXFW21 <input type="checkbox"/> 5"x1"	Performance 5 Spoke Billet Aluminum Wheel w/Poly Tire <input type="checkbox"/> Silver Hub OR <input type="checkbox"/> Black Hub.....	\$155
GXFW22 <input type="checkbox"/> 5"x1"	Performance 5 Spoke 2-Piece Billet Aluminum Wheel w/Soft Roll Tire <input type="checkbox"/> Silver Hub OR <input type="checkbox"/> Black Hub.....	\$190
GXFW18 <input type="checkbox"/> 5"x1.5"	Plastic Wheel w/Poly Tire (Not available with Heavy Duty Edition.).....	\$80
GXFW9 <input type="checkbox"/> 6"x1"	Plastic Wheel w/Poly Tire (Not available with Heavy Duty Edition or with 85° or 90° Front Angle ⓐ .).....	NCO
GXFW11 <input type="checkbox"/> 6"x1"	Billet Aluminum Wheel w/Poly Tire <input type="checkbox"/> Silver Hub OR <input type="checkbox"/> Black Hub (Not available with 85° or 90° Front Angle ⓐ .).....	\$170
GXFW10 <input type="checkbox"/> 6"x1.25"	Plastic Wheel w/Pneumatic Tire (Not available with Heavy Duty Edition or with 85° or 90° Front Angle ⓐ .).....	\$70
GXFW12 <input type="checkbox"/> 6"x1.25"	Billet Aluminum Wheel w/Pneumatic Tire <input type="checkbox"/> Silver Hub OR <input type="checkbox"/> Black Hub (Not available with 85° or 90° Front Angle ⓐ .).....	\$170
GXFW13 <input type="checkbox"/> 6"x1.25"	2-Piece Billet Aluminum Wheel w/Soft Roll Tire (Not available with 85° or 90° Front Angle ⓐ .).....	\$195
GXFW16 <input type="checkbox"/> 8"x1"	Plastic Wheel w/Poly Tire (Not available with Heavy Duty Edition. Available with 70° Front Angle ⓐ only.).....	NCO
GXFW17 <input type="checkbox"/> 8"x1.25"	Plastic Wheel w/Pneumatic Tire (Not available with Heavy Duty Edition. Available with 70° Front Angle ⓐ only.).....	\$95
GXFRG1 <input type="checkbox"/>	Frog Legs® Suspension Forks (Available in Black anodize only. Not available with 8" Front Wheels.).....	\$425
GXCPL1 <input type="checkbox"/>	Caster Pin Locks (Not available with Heavy Duty Edition or Frog Legs®.).....	\$235
GXFW0 <input type="checkbox"/>	Omit Front Wheels (Must choose Wheel Size above.).....	\$0.00

REAR WHEELS See Rear Seat Height Ranges chart on Page 3 for Rear Seat Height **ⓐ** limitations.

GXRW14 TiLite SHADOW™	(Not available with Titanium Quick Release Axles or Heavy Duty Edition.).....	STD
<input type="checkbox"/> 22"(501)		
<input type="checkbox"/> 24"(540)		
<input type="checkbox"/> 25"(559) (Requires 15" minimum Seat Depth ⓐ .)		
<input type="checkbox"/> 26"(590) (Requires 15" minimum Seat Depth ⓐ .)		
GXRW5 TiLite High Flange Hub	(Not available Titanium Quick Release Axles.).....	\$270
<input type="checkbox"/> 24"(540)		
<input type="checkbox"/> 25"(559) (Requires 15" minimum Seat Depth ⓐ . Not available with Short Frame length.)		
<input type="checkbox"/> 26"(590) (Requires 15" minimum Seat Depth ⓐ . Not available with Short Frame length.)		
GXRW13 Golz TWIN-STAR Exchange	(Not available with Titanium Quick Release Axles.).....	\$895
<input type="checkbox"/> 24"(540)		
<input type="checkbox"/> 25"(559) (Requires 15" minimum Seat Depth ⓐ .)		
GXRW7 Spinery SPOX	<input type="checkbox"/> Black <input type="checkbox"/> Red <input type="checkbox"/> Yellow <input type="checkbox"/> Blue <input type="checkbox"/> White.....	\$695
<input type="checkbox"/> 22"(501) - Std. Hub		
<input type="checkbox"/> 24"(540) - Std. Hub		
<input type="checkbox"/> 25"(559) - Std. Hub (Requires 15" minimum Seat Depth ⓐ . Not available with Short Frame length.)		
<input type="checkbox"/> 26"(590) - Sport Hub (Requires 15" minimum Seat Depth ⓐ . Not available with Short Frame length.)		

TiLite 2GX Order Form

CHAIR OPTIONS

REAR WHEELS See Rear Seat Height Ranges chart on Page 3 for Rear Seat Height Ⓢ limitations.

GXRW8 Spinergey LX <input type="checkbox"/> Black <input type="checkbox"/> Red <input type="checkbox"/> Yellow <input type="checkbox"/> Blue <input type="checkbox"/> White <input type="checkbox"/> Go Green <input type="checkbox"/> Bright Orange	
<input type="checkbox"/> Flamingo Pink (Not available with Heavy Duty Edition. Please allow an additional 2-3 weeks delivery on Go Green, Bright Orange and Flamingo Pink.)	\$895
<input type="checkbox"/> 22"(501) - Std. Hub	
<input type="checkbox"/> 24"(540) - Std. Hub	
<input type="checkbox"/> 25"(559) - Std. Hub (Requires 15" minimum Seat Depth Ⓢ. Not available with Short Frame length.)	
<input type="checkbox"/> 26"(590) - Sport Hub (Requires 15" minimum Seat Depth Ⓢ. Not available with Short Frame length.)	
GXRW11 Skyway Mags <input type="checkbox"/> 22" <input type="checkbox"/> 24" (Not available with Heavy Duty Edition, Short Tabs, Titanium Quick Release Axles, Quad Release Axles or Spoke Guards.)	\$60
GXRW0 <input type="checkbox"/> Omit Rear Wheels (Must choose Wheel Size above and Tire Type below.)	\$0.00

AXLES

GXAXL1 <input type="checkbox"/> Stainless Quick Release	STD
GXAXL2 <input type="checkbox"/> Titanium Quick Release (Not available with TiLite High Flange Hub, TWIN-STAR Exchange, SHADOW, Skyway Mags, 26"(590) Spinergey SPOX or LX Rear Wheels or Power Adaptable Frame.)	\$185
GXAXL3 <input type="checkbox"/> Quad Release (Not available with Skyway Mags or 26"(590) Spinergey SPOX or LX Rear Wheels.)	\$100

AXLE PLATE

GXAXL4 <input type="checkbox"/> Amputee Axle Plate (Not available with Swing Away Tubular or Flip-Back Armrests. Maximum Rear Seat Height Ⓢ of 18.5".)	\$155
--	-------

PNEUMATIC REAR TIRES

GXRTR1 <input type="checkbox"/> Treaded (Not available with 25" (559) Rear Wheels.)	STD
<input type="checkbox"/> GXRTR2 <input type="checkbox"/> Airless Inserts	\$90
GXRTR3 <input type="checkbox"/> 25" Primo Treaded (Standard with 25"(559) Rear Wheels.)	STD
GXRTR4 <input type="checkbox"/> Primo	NCO
GXRTR5 <input type="checkbox"/> 24", 25" and 26" Kenda® High Pressure (110psi) <input type="checkbox"/> Grey <input type="checkbox"/> Red <input type="checkbox"/> Blue	\$95
GXRTR6 <input type="checkbox"/> 24" Grey Knobby (Requires TiLite Wheel with High Flange Hub.)	\$95
GXRTR7 <input type="checkbox"/> 26" Black Knobby (Requires TiLite Wheel with High Flange Hub or Spinergey SPOX or Spinergey LX Rear Wheels.)	\$95
GXRTR8 <input type="checkbox"/> 24", 25" and 26" Schwalbe® Marathon Plus Evolution	\$90
GXRTR9 <input type="checkbox"/> 24" and 25" Schwalbe® SpeedRun	\$135

SOLID REAR TIRES

GXRTR11 <input type="checkbox"/> 22" (501) Pyramid	\$85
GXRTR13 <input type="checkbox"/> 24" (540) and 25" (559) Herringbone Tread	\$95
GXRTR15 <input type="checkbox"/> 24" (540) and 25" (559) Treaded	\$95

HANDRIMS

Handrims by OUT-FRONT®

GXRIM1 <input type="checkbox"/> Aluminum – Silver Anodized	STD
Titanium (Not available with Skyway Mags, 22" Rear Wheels, or 24" Knobby tires.)	
<input type="checkbox"/> GXRIM12 <input type="checkbox"/> Satin Finish	\$440
<input type="checkbox"/> GXRIM13 <input type="checkbox"/> Polished Finish	\$615
The Natural-Fit® (Original, Larger Profile) (Not available with 22" Skyway Mags.)	
<input type="checkbox"/> GXRIM14 <input type="checkbox"/> Standard Grip (Not available with Short Tabs.)	\$325
<input type="checkbox"/> GXRIM15 <input type="checkbox"/> Super Grip (Not available with Short Tabs.)	\$375
<input type="checkbox"/> GXRIM16 <input type="checkbox"/> Without Thumb Grip	\$295
The Natural-Fit® LT (Reduced Weight, Smaller Profile) (Not available with 22" Skyway Mags.)	
<input type="checkbox"/> GXRIM17 <input type="checkbox"/> Standard Grip (Not available with Short Tabs.)	\$360
<input type="checkbox"/> GXRIM18 <input type="checkbox"/> Super Grip (Not available with Short Tabs.)	\$405
<input type="checkbox"/> GXRIM19 <input type="checkbox"/> Without Thumb Grip	\$330
<input type="checkbox"/> GXRIM10 <input type="checkbox"/> The Surge (All-In-One Oval with Gription™ Strip, Larger Profile) (Not available with 22" Skyway Mags.)	\$325
<input type="checkbox"/> GXRIM11 <input type="checkbox"/> The Surge LT (All-In-One Oval with Gription™ Strip, Smaller Profile) (Not available with 22" Skyway Mags.)	\$360
<input type="checkbox"/> GXRIM20 <input type="checkbox"/> Q-Grip (Exclusive High-Friction, Anti-Slip Coating) (Not available with 22" or 26" Rear Wheels or Skyway Mags.)	\$285

Additional Handrims

GXRIM9 <input type="checkbox"/> Spinergey FlexRim (Available only on 24" and 25" Spinergey LX Rear Wheels. Please allow an additional 2-3 weeks delivery.)	\$525
GXRIM5 <input type="checkbox"/> Plastic Coated – Black	\$105
GXRIM6 <input type="checkbox"/> Projections - 8 Vertical Projections (Not available with 22" or 26" Rear Wheels or Skyway Mags.)	\$265
GXRIM0 <input type="checkbox"/> Omit Handrims	\$0.00

Tab Length

GXRIM7 <input type="checkbox"/> Long Tabs	STD
GXRIM8 <input type="checkbox"/> Short Tabs (Not available with Skyway Mags or The Natural-Fit® Handrims with Thumb Grip.)	\$20

WHEEL LOCKS

GXWLK7 <input type="checkbox"/> Compact Composite Push to Lock	NCO
GXWLK8 <input type="checkbox"/> Compact Composite Pull to Lock	NCO
<input type="checkbox"/> GXWLK10 <input type="checkbox"/> Extension Handles for Composite Push/Pull to Lock	\$75
GXWLK9 <input type="checkbox"/> Composite Scissor Lock (Not available on 2GX Swing Away.)	\$110
GXWLK3 <input type="checkbox"/> Uni-Lock Set At: <input type="checkbox"/> Push OR <input type="checkbox"/> Pull	\$135
<input type="checkbox"/> GXWLK4 <input type="checkbox"/> Extension Handles for Uni-Lock	\$75

CHAIR OPTIONS

UPHOLSTERY COLORS

- GXUPC1 Black.....**STD**
- GXUPC3 **Ultrasuede Backrest Stripe** Black Sapphire Red Pepper Burnt Orange Sub-Lime
 Ultraviolet Espresso (Not available with Padded Nylon Back Upholstery.).....**\$90**

BACK UPHOLSTERY

- GXBUP1 Padded Nylon (Not available with Heavy Duty Edition, Fold-Down Push Handles or Ultrasuede Backrest Stripe.)..... **STD**
- GXBUP3 Tension Adjustable by Straps (Included with Heavy Duty Edition. Required with Aluminum Fendered Side Guards and Fold-Down Push Handles.) **\$95**
- GXBUP4 Ride Designs® Corbac™ Adjustable Contour Back Support (Black Only. Available with Fixed Seat Backs from 11" to 15")......**\$455**
- GXBUP0 Omit Back Upholstery.....**NCO**

SEAT UPHOLSTERY

- GXSUP4 Tension Adjustable.....**STD**
- GXSUP0 Omit Seat Upholstery.....**NCO**
- GXSUP6 Quick Release Solid Seat Insert.....**\$265**

SEAT CUSHIONS

- GXCSD1 Foam Cushion 2" 3" 4".....**\$105**

SIDE GUARDS

- GXSDG1 Cloth (Not available with Ride Designs® Corbac™ Back Support.).....**\$75**

Aluminum

- GXSDG2 Rigid Removable Small **OR** Std.....**\$175**
- GXSDG3 Quad Removable w/Hole Small **OR** Std.....**\$185**
- GXSDG6 Fendered Adjustable (Requires Tension Adjustable by Straps Back Upholstery. Not available with Angle-Adjustable Fold-Down Seat Backs.).....**\$205**

Carbon Fiber

- GXSDG7 Rigid Removable Small **OR** Std.....**\$290**
- GXSDG8 Quad Removable w/Hole Small **OR** Std.....**\$295**

Available on Aluminum and Carbon Fiber Non-Fendered Side Guards

- GXSDG13 Side Guards Custom Cut to Profile of Rear Wheels (Not available with Cloth.).....**\$285**

ARMRESTS

- GXARM1 Swing Away Tubular (Not available with Heavy Duty Edition, Amputee Axle Plate or Depth Adjustable Back/Frame.)**\$205**
 9" - 12" **OR** 12" - 15"
- GXARM4 Swing Away - Flip Back Tubular (Not available with Amputee Axle Plate or Heavy Duty Edition).....**\$285**
- GXARM2 Removable Height Adjustable Desk Arm with Rigid Side Guard (Requires 14" minimum Seat Depth Ⓢ.).....**\$295**
 9" to 12" **OR** 12" to 15"
 Standard Length Pad (10") **OR** Full Length Pad (14")
- GXARM3 Removable Height Adjustable Desk Arm with Rigid Side Guard and Transfer Loop (Requires 15" minimum Seat Depth Ⓢ.).....**\$340**
 9" to 12" **OR** 12" to 15"
 Standard Length Pad (10") **OR** Full Length Pad (14")

Available on all Armrests

- GXARM5 Covered in Black Ultrasuede.....**\$90**

CHAIR OPTIONS

SEAT BELTS

GXBLT1 <input type="checkbox"/> Velcro Adjustable, Black Nylon Webbing.....	\$50
GXBLT2 <input type="checkbox"/> Bodypoint® 2" Push-Button Buckle (Auto-Style.).....	\$95
GXBLT4 <input type="checkbox"/> Bodypoint® 1" Wide Push-Button Buckle Padded (Auto-Style.).....	\$155
GXBLT5 <input type="checkbox"/> Bodypoint® 1.5" Wide Push-Button Buckle Padded (Auto-Style.).....	\$155
GXBLT6 <input type="checkbox"/> Bodypoint® 1.5" Wide Rehab Latch Buckle Padded (Airline-Style.).....	\$155
GXBLT7 <input type="checkbox"/> Bodypoint® 1.5" Wide Plastic Side Release Padded.....	\$120

CALF STRAP

GXCLF1 <input type="checkbox"/> Buckle Adjustable, Black Nylon Webbing.....	\$25
GXCLF2 <input type="checkbox"/> Velcro Adjustable	\$40
<input type="checkbox"/> Small (Recommended for 12"- 15" Seat Widths)	
<input type="checkbox"/> Medium (Recommended for 14"- 18" Seat Widths)	
<input type="checkbox"/> Large (Recommended for 17"- 19" Seat Widths)	
<input type="checkbox"/> Xtra Large (Recommended for 18"- 20" Seat Widths)	
GXCLF3 <input type="checkbox"/> Bodypoint® Padded Velcro Adjustable	\$85
<input type="checkbox"/> Medium (Recommended for 12"- 15" Seat Widths)	
<input type="checkbox"/> Large (Recommended for 16"- 20" Seat Widths)	

BACK PACK

GXBCK1 <input type="checkbox"/> Small - Black Nylon	\$55
GXBCK2 <input type="checkbox"/> Large - Black Nylon.....	\$70

SEAT POUCH

GXPCH1 <input type="checkbox"/> Small - Black Nylon.....	\$45
GXPCH2 <input type="checkbox"/> Large - Black Nylon.....	\$50

SPOKE GUARDS

GXGRD1 <input type="checkbox"/> Clear Lexan with TiMotion Logo (Not available with Skyway Mags.).....	\$85
---	------

ANTI-TIPS

GXTIP1 <input type="checkbox"/> Rear Aluminum - Black.....	\$0.00
GXTIP2 <input type="checkbox"/> User Friendly Rear Flip-up.....	\$250

ACCESSORIES

GXUEST1 <input type="checkbox"/> Upper Extremity Support Tray <input type="checkbox"/> 12" to 14" OR <input type="checkbox"/> 13" to 15" Seat Widths A (Requires Armrests.).....	\$250
GXLUG1 <input type="checkbox"/> Luggage Carriers (Not available with High Mount Swing Away Footrests or 1-Piece Flip-up Footrest.).....	\$140
GXMPT2 Neoprene Impact Guards with Ultrasuede Stripe (Not available with High Mount Footrests or 90° Hangers.) <input type="checkbox"/> Black <input type="checkbox"/> Sapphire <input type="checkbox"/> Red Pepper <input type="checkbox"/> Burnt Orange <input type="checkbox"/> Sub-Lime <input type="checkbox"/> Ultraviolet <input type="checkbox"/> Espresso.....	\$95
GXTRVL1 <input type="checkbox"/> Travel Wheels (Not available with Heavy Duty Edition or Anti-Tips or Amputee Adapter.).....	\$260
GXCH1 <input type="checkbox"/> Crutch Holder.....	\$95
GXTS1 TiLite T-Shirt <input type="checkbox"/> Small <input type="checkbox"/> Medium <input type="checkbox"/> Large <input type="checkbox"/> X-Large <input type="checkbox"/> XX-Large.....	\$25
GXHS1 <input type="checkbox"/> TiLite 9 Piece SAE Round Handle Folding Hex Key Set.....	\$25

DESIGNS UNLIMITED



TiLite's 2GX offers hundreds of different frame combinations! But sometimes even that's not enough. If you would like to customize your TiLite, check out the Designs Unlimited Studio at tilite.com. There you will find drawings and pricing for hundreds of creative solutions to customers' customization requests. We call these "D.U.'s."! Designs Unlimited customization may add an additional 2 to 3 weeks to the ship time of your chair.

GENERAL

TiLite manufactures a wide variety of wheelchairs to meet the varied needs of wheelchair users. The final selection of a particular model, its options and accessories, and its measurements rests solely with the wheelchair user and advising healthcare professional. TiLite wheelchairs must be fitted by a qualified healthcare professional.

Get the latest order forms at tilite.com Prices, standard features, options and accessories are subject to change without notice. All rights reserved. Trademarks are identified by symbols™ and ©. TiLite, the TiLite logo, Ti, the Ti logo, The Titanium Experts, TiShaft and The Ultimate Ride are registered trademarks of TiSport, LLC. Adobe®, Acrobat®, Acrobat Professional® and Reader® are registered trademarks of Adobe Systems Inc. Bodypoint® is a registered trademark of Bodypoint Inc. Frog Legs® is a registered trademark of Frog Legs, Inc. Kenda® is a registered trademark of Kenda Rubber Industrial Co Ltd. Ride Designs® and Corbac® are registered trademark of Aspen Seating, LLC. ROHO®, Low Profile® and Quadro Select® are registered trademarks of ROHO Inc. Schwalbe® is a registered trademark of Ralf Bohle GmbH. Supracor®, . The Natural-Fit® is a registered trademark of Three Rivers Holdings, LLC. Varilite® is a registered trademark of Cascade Designs, Inc.