

DEALER INFORMATION		RTS INFORMATION	
Dealer:		RTS:	Phone:
Account:	PO:	Email:	
Ordered By:		SHIP TO INFORMATION	
Address:		Name:	Ship Via:
City:	State:	Zip:	
Phone:	Fax:	City:	State:
Email:		Phone:	Fax:
Mark For:		TiLite Information	Promo Code:
		Ship Date:	Order #:

Please Fax or email to the SDL Customer Service Team



TiLite TX shown with Rigid Folding Mechanism "RFM" and other available options.

FRAME STYLE

TXS1 **TiLite TX** (250 Pound Weight Limit. For Rear Seat Width **A** and Seat Depth **B** of 15", or greater, use K0009. For Rear Seat Width **A** and Seat Depth **B** of less than 15", use E1229.).....**\$3,995**

FRAME FINISHES

Natural Titanium

- TXFF1 Satin**STD**
- TXSCBT1 Satin Finish Buffing Pads.....**\$20**
- TXFF2 Polished**\$760**
- TXFF3 Tattooed Titanium™ (Tattoos on front frame tubes. Frame finished in Satin. Click on the images below to view the Tattoos online.)...**\$295**
- TXFF4 Rock & Roll
- TXFF5 Retro



TXFF6 Mother Nature



TXFF7 Henna



High Gloss Paint

- TXFF8 Super Wet Black
- TXFF11 Military Green

Metallic Paint

- TXFF14 Ocean Blue Metallic

Pearlescent Paint

- TXFF17 Midnight Blue Pearl

Matte Paint

- TXFF19 Black Lava

Candy Paint

- TXFF27 **Titanium Grey**
- TXFF22 Ruby Red
- TXFF25 Electric Plum

TXFF9 Sunburst Yellow

- TXFF12 Orange Crush
- TXFF15 Tangerine Metallic
- TXFF18 White Pearl
- TXFF20 Deep Blue Ice

TXFF10 TiLite Red

- TXFF13 Hot Pink
- TXFF16 Salsa Red Metallic
- TXFF21 Scarlet Ice

TXFF23 Azure Blue

- TXFF26 Atomic Green**STD**

TXFF24 Root Beer Candy



THE ULTIMATE RIDE.®

tilite.com
2701 West Court Street | Pasco, Washington 99301
509.586.6117 Tel | 800.545.2266 Toll-Free
509.586.2413 Fax | 866.586.2413 Toll-Free Fax

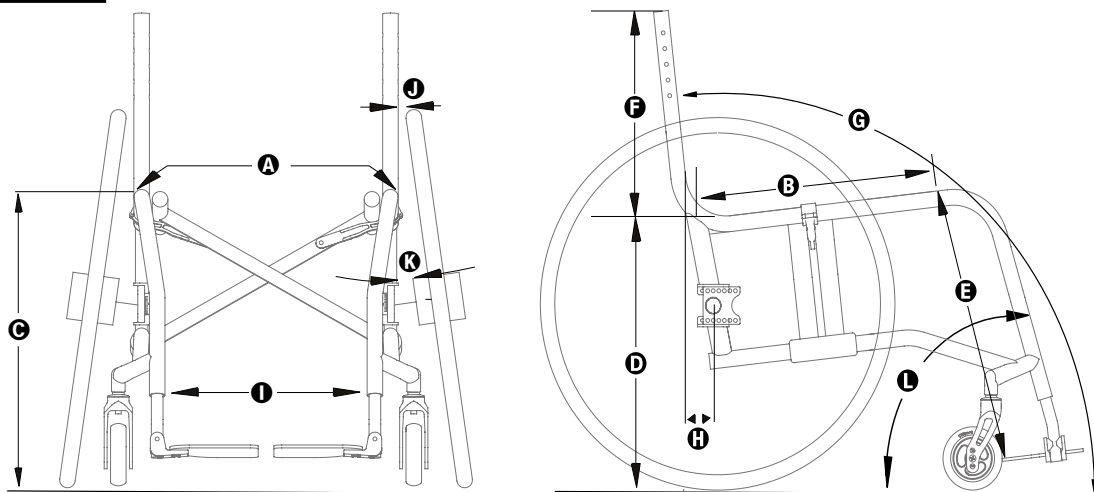
THE TITANIUM EXPERTS.®

COLOR ANODIZE PACKAGE

(Color Anodize Package includes Caster Fork. If no anodize color is selected, the default will be black.)

TXANO1 BlackSTD
 TXANO3 Red Pepper TXANO5 Sapphire TXANO7 Sub-Lime\$120

FRAME MEASUREMENT



SEAT WIDTH A Measure from outside of seat tube to outside of the opposite seat tube.

TXSW1 12" 13" 14" 15" 16" 17" 18" 19".....STD
 TXSW2 20".....\$450

SEAT DEPTH B Measure from 1/2" in front of back post to the front edge of seat sling. (14" Seat Depth B not available with 25" and 26"

Rear Wheels.)

TXSD1 14" 15" 16" 17" 18" 19".....STD
 TXSD2 20".....\$475

FRONT SEAT HEIGHT C Measure from the floor to top of seat tube at beginning of bend. Maximum difference of 3" is allowed between Front Seat Height C and Rear Seat Height D. (Seat Back Angle E limited to 90° - 100° with a difference of 3" between Front Seat Height C and Rear Seat Height D. Seat Back Angle E limited to 85° - 100° with a difference of 2.5" between Front Seat Height C and Rear Seat Height D.)

TXFSH1 15" 15.5" 16" 16.5" 17" 17.5" 18" 18.5" 19" 19.5"
 20" 20.5" 21".....STD

REAR SEAT HEIGHT D Measure from floor to top of seat tube at back post. Maximum difference of 3" is allowed between Front Seat Height C and Rear Seat Height D. (Seat Back Angle E limited to 90° - 100° with a difference of 3" between Front Seat Height C and Rear Seat Height D. Seat Back Angle E limited to 85° - 100° with a difference of 2.5" between Front Seat Height C and Rear Seat Height D.)

REAR SEAT HEIGHT RANGES

Rear Wheel Size	Rear Seat Height D		
	Fixed C.O.G H	Adj. C.O.G H	
22"	14" - 17.0"	14.0" - 16.5"	
24"	14" - 18.0"	14.0" - 17.5"	
25"	14" - 18.5"	14.5" - 18.0"	TXRSH1 <input type="checkbox"/> 14" <input type="checkbox"/> 14.5" <input type="checkbox"/> 15" <input type="checkbox"/> 15.5"
26"	15" - 19.0"	15.5" - 18.5"	<input type="checkbox"/> 16" <input type="checkbox"/> 16.5" <input type="checkbox"/> 17" <input type="checkbox"/> 17.5" <input type="checkbox"/> 18" <input type="checkbox"/> 18.5" <input type="checkbox"/> 19".....STD

FRONT ANGLE I Measure from frame front to floor. 80° Front Angle shown on Page 2.

TXFA1 70° 80° 85° (Not available with 6" Front Wheels.).....STD

SEAT TO FOOTREST B/FOOTRESTS Measure from front edge of seat sling to top rear of footrest. Measurement must be at least 2" shorter than Front Seat Height C.

STANDARD FOOTRESTS

13.5" 14" 14.5" 15" 15.5" 16" 16.5" 17" 17.5" 18" 18.5" 19"

TXFTR5 Flip-up Footrest.....STD
 TXFTR6 1-Piece Flip-up Footrest (Pivot on L or R) (Not available with Heel Loops.).....\$150
 TXFTR7 1-Piece, Over-Center Folding Footrest (Not available with Heel Loops.).....\$150
 TXFTR8 1-Piece, Over-Center Angle Adjustable Footrest (Not available with Heel Loops. Available for 15" to 19" Seat to Footrest B only.).....\$310
 TXFTR9 Depth Adjustable Flip-up Footrest.....\$100
 TXFTR10 Depth & Angle Adjustable Flip-up Footrest (Available for 15" to 19" Seat to Footrest B only.).....\$245
 TXFTR11 Angle Adjustable Flip-up Footrest (Available for 15" to 19" Seat to Footrest B only.).....\$205

FRAME MEASUREMENT

HIGH MOUNT FOOTRESTS (Not Available with Tapered Footrest Width ❶, Luggage Carriers or Impact Guards.)

- 7" 7.5" 8" 8.5" 9" 9.5" 10" 10.5" 11" 11.5" 12" 12.5" 13"
- TXFTR12 High Mount Flip-Up Footrest.....\$175
 TXFTR13 Depth Adjustable High Mount Flip-up Footrest.....\$195
 TXFTR15 Angle Adjustable High Mount Flip-up Footrest.....\$295
 TXFTR16 Depth & Angle Adjustable High Mount Flip-up Footrest.....\$340
- TXHLP1 **Heel Loops** (Not Available with 13" or narrower Seat Width ❶ or 1-Piece Footrests.).....\$45

FOOTREST WIDTH ❶ Find your Rear Seat Width ❶ in the chart below and select one of the options to the right.

Measure from inside of front frame tube to inside of opposite front frame tube. (2" Taper not Available with High Mount Footrests.).....STD

TXFW1 FOOTREST WIDTH ❶ (INSIDE MEASUREMENT)

Rear Seat Width ❶ (Outside Measurement)	No Taper (2" Narrower than Seat Width)	2" Taper (4" Narrower than Seat Width)
12"	<input type="checkbox"/> 10"	<input type="checkbox"/> 8"
13"	<input type="checkbox"/> 11"	<input type="checkbox"/> 9"
14"	<input type="checkbox"/> 12"	<input type="checkbox"/> 10"
15"	<input type="checkbox"/> 13"	<input type="checkbox"/> 11"
16"	<input type="checkbox"/> 14"	<input type="checkbox"/> 12"
17"	<input type="checkbox"/> 15"	<input type="checkbox"/> 13"
18"	<input type="checkbox"/> 16"	<input type="checkbox"/> 14"
19"	<input type="checkbox"/> 17"	<input type="checkbox"/> 15"
20"	<input type="checkbox"/> 18"	<input type="checkbox"/> 16"

SEAT BACK HEIGHT ❷/SEAT BACK/PUSH HANDLES Measure from top of back post to top of seat tube at rear of frame.

SEAT BACK TYPE

- TXSB13 Fixed Angle Adjustable-Height Seat Back.....STD
 TXSB18 Folding Adjustable-Angle and Height Seat Back.....\$210
 TXSB15 Non-Folding, Fixed-Height Titanium Seat Back.....NCO

PUSH HANDLES

- TXSB6 Integrated Push Handles (Not available with Non-Folding, Fixed Height Titanium Back.).....NCO
 TXSB7 Integrated Fold-Down Push Handles (Requires Tension Adjustable by Straps Back Upholstery. Not available with Non-Folding, Fixed Height Titanium Back.).....\$105
 TXSB9 Bolt-On Height Adjustable Push Handles (Requires Tension Adjustable by Straps Back Upholstery. Not available with Folding Adjustable-Angle and Height Seat Back, Non-Folding, Fixed Height Titanium Back. or Swing Away Tubular Armrests.)...\$235

TXSB13 FIXED ANGLE ADJUSTABLE-HEIGHT, SEAT BACK ❷

Push Handles	Short	Medium	Tall	Set at: (Use 1/2" increments)
None	<input type="checkbox"/> 12"- 16"	<input type="checkbox"/> 14"- 18"	<input type="checkbox"/> 16"- 20"	Set at: _____
Integrated	<input type="checkbox"/> 13"- 16"	<input type="checkbox"/> 15"- 18"	<input type="checkbox"/> 17"- 20"	Set at: _____
Integrated Fold-Down		<input type="checkbox"/> 14"- 18.5"	<input type="checkbox"/> 16"- 20.5"	Set at: _____
Bolt-On Height Adj.	<input type="checkbox"/> 12"- 16"	<input type="checkbox"/> 14"- 18"	<input type="checkbox"/> 16"- 20"	Set at: _____

TXSB18 FOLDING ADJUSTABLE- ANGLE AND HEIGHT SEAT BACK ❷

Push Handles	Short	Medium	Tall	Set at: (Use 1/2" increments)
None	<input type="checkbox"/> 13"- 15"	<input type="checkbox"/> 15.5"- 18.5"	<input type="checkbox"/> 18.5"- 21.5"	Set at: _____
Integrated	<input type="checkbox"/> 15"- 17"	<input type="checkbox"/> 16"- 19"	<input type="checkbox"/> 19"- 22"	Set at: _____
Integrated Fold-Down		<input type="checkbox"/> 16.5"- 18.5"	<input type="checkbox"/> 17.5"- 20.5"	Set at: _____

TXSB15 NON-FOLDING, FIXED-HEIGHT, TITANIUM SEAT BACK ❷ (Titanium back will match Frame Finish. Required for fixed Side Guards. Not available with Integrated Push Handles, Integrated Fold-Down Push Handles or Bolt-On Height Adjustable Push Handles.)

- 8" 8.5" 9" 9.5" 10" 10.5" 11" 11.5" 12" 12.5"
 13" 13.5" 14" 14.5" 15" 15.5" 16" 16.5" 17" 17.5"
 18" 18.5" 19" 19.5" 20"

AVAILABLE ON ALL FIXED ANGLE BACKS

- TXLB1 Folding Stabilizer Bar (Not Available with backrest height below 10.5" or Swing-Away Tubular Armrests.).....\$350

FRAME MEASUREMENT

SEAT BACK ANGLE **Ⓒ** Measure angle from front of back post to floor. 90° will be perpendicular to the floor (*Seat Back Angle* **Ⓒ** limited to 90° - 100° with a difference of 3° between Front Seat Height **Ⓒ** and Rear Seat Height **Ⓓ**. *Seat Back Angle* **Ⓒ** limited to 85° - 100° with a difference of 2.5° between Front Seat Height **Ⓒ** and Rear Seat Height **Ⓓ**.) To approximate the angle from the back post to the seat, subtract 2 degrees from measurement **Ⓒ** for every .5" of dump.

TXSBA1 80° 81° 82° 83° 84° 85° 86° 87° 88° 89° 90° 91°
 92° 93° 94° 95° 96° 97° 98° 99° 100°.....**STD**

CENTER OF GRAVITY **Ⓓ** Measure from the front of the back post at the seat tube to the center of the rear axle. With up to 1" difference between **Ⓒ** and **Ⓓ**, a maximum of 3" forward is allowed. With 1.5" to 2.5" difference between **Ⓒ** and **Ⓓ**, a maximum of 4" forward is allowed. With 3" difference between **Ⓒ** and **Ⓓ**, a maximum of 5" forward is allowed. If no center of gravity is selected, chair will ship with the center of gravity in the rearward-most position

1" 1.25" 1.5" 1.75" 2" 2.25" 2.5" 2.75" 3" 3.25" 3.5" 3.75"
 4" 4.25" 4.5" 4.75" 5"
 TXCOG2 **Adjustable Center Of Gravity**.....**STD**
 TXCOG3 **Fixed Center Of Gravity** (Not available with User Friendly Anti-Tips.).....**\$260**

REAR WHEEL SPACING **Ⓔ** Measure from outside of seat back post to inside of rear tire. 3/4" Rear Wheel Spacing not available with 0° or 2° Camber **Ⓕ**.

TXRWS1 .75" 1" 1.25" 1.5" 1.75" 2".....**STD**

CAMBER **Ⓕ**

TXCBR8 0° 2° 4°.....**STD**
 TXCBR10 Additional Camber Plugs (Pair) 0° 2° 4°.....**\$105**

FRONT WHEELS

TXFW1 3"x.75" Micro-Caster.....**STD**
 TXFW2 3"x.75" Light-Up Micro-Caster.....**\$70**
 TXFW14 4"x.75" Plastic Wheel w/Poly Tire.....**NCO**
 TXFW3 4"x.75" Light-Up Micro-Caster.....**\$70**
 TXFW19 4"x.75" Performance 5 Spoke Billet Aluminum Wheel w/Poly Tire Silver Hub **OR** Black Hub.....**\$130**
 TXFW20 4"x1" Performance 5 Spoke 2-Piece Billet Aluminum Wheel w/Soft Roll Tire
 Silver Hub **OR** Black Hub.....**\$170**
 TXFW15 4"x1.5" Plastic Wheel w/Poly Tire.....**\$80**
 TXFW6 5"x1" Plastic Wheel w/Poly Tire.....**NCO**
 TXFW21 5"x1" Performance 5 Spoke Billet Aluminum Wheel w/Poly Tire Silver Hub **OR** Black Hub.....**\$155**
 TXFW22 5"x1" Performance 5 Spoke 2-Piece Billet Aluminum Wheel w/Soft Roll Tire
 Silver Hub **OR** Black Hub.....**\$190**
 TXFW18 5"x1.5" Plastic Wheel w/Poly Tire.....**\$80**
 TXFW9 6"x1" Plastic Wheel w/Poly Tire (Not available with 85° Front Angle **Ⓔ**.).....**NCO**
 TXFW11 6"x1" Billet Aluminum Wheel w/Poly Tire Silver Hub **OR** Black Hub (Not available with 85° Front Angle **Ⓔ**.).....**\$170**
 TXFW10 6"x1.25" Plastic Wheel w/Pneumatic Tire (Not available with 85° Front Angle **Ⓔ**.).....**\$70**
 TXFW12 6"x1.25" Billet Aluminum Wheel w/Pneumatic Tire Silver Hub **OR** Black Hub
 (Not available with 85° Front Angle **Ⓔ**.).....**\$170**
 TXFW13 6"x1.25" 2-Piece Billet Aluminum Wheel w/Soft Roll Tire (Not available with 85° Front Angle **Ⓔ**.).....**\$195**
 TXFRG1 Frog Legs® Suspension Forks (Available in Black anodize only).....**\$425**
 TXCPL1 Caster Pin Locks (Not available with Frog Legs®.).....**\$235**
 TXFW0 Omit Front Wheels (Must choose Wheel Size above).....**\$0.00**

REAR WHEELS See Rear Seat Height Ranges chart on Page 2 for Rear Seat Height **Ⓓ** limitations.

TXRW14 TiLite SHADOW™ (Not available with Titanium Quick Release Axles.).....**STD**
 22"(501)
 24"(540)
 25"(559) (Requires 15" minimum Seat Depth **Ⓒ**.)
 26"(590) (Requires 15" minimum Seat Depth **Ⓒ**.)
 TXRW5 TiLite High Flange Hub (Not available with Titanium Quick Release Axles.).....**\$270**
 24"(540)
 25"(559) (Requires 15" minimum Seat Depth **Ⓒ**.)
 26"(590) (Requires 15" minimum Seat Depth **Ⓒ**.)
 TXRW13 Golz TWIN-STAR Exchange (Not available with Titanium Quick Release Axles.).....**\$895**
 24"(540)
 25"(559) (Requires 15" minimum Seat Depth **Ⓒ**.)
 TXRW7 Spinygy SPOX Black Red Yellow Blue White**\$695**
 22"(501) - Std. Hub
 24"(540) - Std. Hub
 25"(559) - Std. Hub (Requires 15" minimum Seat Depth **Ⓒ**.)
 26"(590) - Sport Hub (Requires 15" minimum Seat Depth **Ⓒ**. Not available with Titanium Quick Release or Quad Release Axles.)

CHAIR OPTIONS

REAR WHEELS See Rear Seat Height Ranges chart on Page 2 for Rear Seat Height Ⓢ limitations.

TXRW8 Spinergy LX	<input type="checkbox"/> Black <input type="checkbox"/> Red <input type="checkbox"/> Yellow <input type="checkbox"/> Blue <input type="checkbox"/> White <input type="checkbox"/> Go Green <input type="checkbox"/> Bright Orange	
	<input type="checkbox"/> Flamingo Pink (Please allow an additional 2-3 weeks delivery on Go Green, Bright Orange and Flamingo Pink.)\$895
	<input type="checkbox"/> 22"(501) - Std. Hub	
	<input type="checkbox"/> 24"(540) - Std. Hub	
	<input type="checkbox"/> 25"(559) - Std. Hub (Requires 15" minimum Seat Depth Ⓢ.)	
	<input type="checkbox"/> 26"(590) - Sport Hub (Requires 15" minimum Seat Depth Ⓢ. Not available with Titanium Quick Release or Quad Release Axles.)	
TXRW11 Skyway Mags	<input type="checkbox"/> 22" <input type="checkbox"/> 24" (Not available with Short Tabs, Titanium Quick Release Axles, Quad Release Axles or Spoke Guards.)	..\$80
TXRW0	<input type="checkbox"/> Omit Rear Wheels (Must choose Wheel Size and Tire Type below.)\$0.00

AXLES

TXAXL1	<input type="checkbox"/> Stainless Quick Release	STD
TXAXL2	<input type="checkbox"/> Titanium Quick Release (Not available with TiLite High Flange Hub, SHADOW, Skyway Mags, 26"(590) Spinergy SPOX or LX Rear Wheels.)	\$210
TXAXL3	<input type="checkbox"/> Quad Release (Not available with Skyway Mags or 26"(590) Spinergy Spox or LX Rear Wheels.)	\$115

PNEUMATIC REAR TIRES

TXRTR1	<input type="checkbox"/> Treaded (Not available with 25"(559) Rear Wheels.)	STD
	<input type="checkbox"/> Airless Inserts	\$90
TXRTR3	<input type="checkbox"/> 25" Primo Treaded (Standard with 25"(559) Rear Wheels.)	STD
TXRTR4	<input type="checkbox"/> Primo	NCO
TXRTR5	<input type="checkbox"/> 24", 25" and 26" Kenda® High Pressure (110psi) <input type="checkbox"/> Grey <input type="checkbox"/> Red <input type="checkbox"/> Blue	\$95
TXRTR6	<input type="checkbox"/> 24" Grey Knobby (Requires TiLite Wheel with High Flange Hub.)	\$105
TXRTR7	<input type="checkbox"/> 26" Black Knobby (Requires TiLite Wheel with High Flange Hub or Spinergy SPOX or Spinergy LX Rear Wheels.)	\$105
TXRTR8	<input type="checkbox"/> 24", 25" and 26" Schwalbe® Marathon Plus Evolution	\$90
TXRTR9	<input type="checkbox"/> 24" and 25" Schwalbe® SpeedRun	\$135

SOLID REAR TIRES

TXRTR11	<input type="checkbox"/> 22"(501) Pyramid	\$85
TXRTR13	<input type="checkbox"/> 24"(540) and 25"(559) Herringbone Tread	\$95
TXRTR15	<input type="checkbox"/> 24"(540) and 25"(559) Treaded	\$95

HANDRIMS

Handrims by OUT-FRONT®

TXRIM1	<input type="checkbox"/> Aluminum – Silver Anodized	STD
	Titanium (Not available with Skyway Mags, 22" Rear Wheels, or 24" Knobby tires.)		
	<input type="checkbox"/> Satin Finish	\$440
	<input type="checkbox"/> Polished Finish	\$615
	The Natural-Fit® (Original, Larger Profile) (Not available with 22" Skyway Mags.)		
	<input type="checkbox"/> Standard Grip (Not available with Short Tabs.)	\$325
	<input type="checkbox"/> Super Grip (Not available with Short Tabs.)	\$375
	<input type="checkbox"/> Without Thumb Grip	\$295
	The Natural-Fit® LT (Reduced Weight, Smaller Profile) (Not available with 22" Skyway Mags.)		
	<input type="checkbox"/> Standard Grip (Not available with Short Tabs.)	\$360
	<input type="checkbox"/> Super Grip (Not available with Short Tabs.)	\$405
	<input type="checkbox"/> Without Thumb Grip	\$330
	<input type="checkbox"/> The Surge (All-In-One Oval with Gription™ Strip, Larger Profile) (Not available with 22" Skyway Mags.)	\$325
	<input type="checkbox"/> The Surge LT (All-In-One Oval with Gription™ Strip, Smaller Profile) (Not available with 22" Skyway Mags.)	\$360
	<input type="checkbox"/> Q-Grip (Exclusive High-Friction, Anti-Slip Coating) (Not available with 22" or 26" Rear Wheels or Skyway Mags.)	\$285

Additional Handrims

TXRIM9	<input type="checkbox"/> Spinergy FlexRim (Available only on 24" and 25" Spinergy LX Rear Wheels. Please allow an additional 2-3 weeks delivery.)	\$525
TXRIM5	<input type="checkbox"/> Plastic Coated – Black	\$105
TXRIM6	<input type="checkbox"/> Projections - 8 Vertical Projections (Not available with 22" or 26" Rear Wheels or Skyway Mags.)	\$265
TXRIM0	<input type="checkbox"/> Omit Handrims	\$0.00

Tab Length

TXRIM7	<input type="checkbox"/> Long Tabs	STD
TXRIM8	<input type="checkbox"/> Short Tabs (Not available with Skyway Mags or The Natural-Fit® Handrims with Thumb Grip.)	\$20

WHEEL LOCKS

TXWLK7	<input type="checkbox"/> Compact Composite Push to Lock (Available with .75" to 1.5" Rear Wheel Spacing Ⓢ only)	NCO
TXWLK8	<input type="checkbox"/> Compact Composite Pull to Lock (Available with .75" to 1.5" Rear Wheel Spacing Ⓢ only)	NCO
	<input type="checkbox"/> Extension Handles for Compact Composite Push/Pull to Lock	\$75
TXWLK9	<input type="checkbox"/> Composite Scissor Lock	\$110
TXWLK3	<input type="checkbox"/> Uni-Lock Set At: <input type="checkbox"/> Push OR <input type="checkbox"/> Pull	\$135
	<input type="checkbox"/> Extension Handles for Uni-Lock	\$75

CHAIR OPTIONS

UPHOLSTERY COLORS

TXUPC1 <input type="checkbox"/> Black.....	STD
TXUPC3 Ultrasuede Backrest Stripe <input type="checkbox"/> Black <input type="checkbox"/> Sapphire <input type="checkbox"/> Red Pepper <input type="checkbox"/> Burnt Orange <input type="checkbox"/> Sub-Lime <input type="checkbox"/> Ultraviolet <input type="checkbox"/> Espresso (Not available with Velcro Adjustable Back Upholstery.).....	\$90

BACK UPHOLSTERY

TXBUP2 <input type="checkbox"/> Velcro Adjustable (Not available with Fold-Down Push Handles or Ultrasuede Backrest Stripe.).....	STD
TXBUP3 <input type="checkbox"/> Tension Adjustable by Straps (Required with Fold-Down Push Handles.).....	\$95
TXBUP0 <input type="checkbox"/> Omit Back Upholstery.....	NCO

SEAT UPHOLSTERY

TXSUP4 <input type="checkbox"/> Tension Adjustable (Black only).....	STD
TXSUP0 <input type="checkbox"/> Omit Seat Upholstery.....	NCO

SEAT CUSHIONS

TXCSH1 <input type="checkbox"/> Foam Cushion <input type="checkbox"/> 2" <input type="checkbox"/> 3" <input type="checkbox"/> 4".....	\$105
---	--------------

SIDE GUARDS

TXSDG1 <input type="checkbox"/> Cloth.....	\$75
--	-------------

Aluminum

TXSDG2 <input type="checkbox"/> Rigid Removable <input type="checkbox"/> Small <input type="checkbox"/> Std.....	\$175
TXSDG3 <input type="checkbox"/> Quad Removable w/Hole <input type="checkbox"/> Small <input type="checkbox"/> Std.....	\$185
TXSDG5 <input type="checkbox"/> Fixed (Requires Fixed Height Titanium Back.).....	\$310

Carbon Fiber

TXSDG7 <input type="checkbox"/> Rigid Removable <input type="checkbox"/> Small <input type="checkbox"/> Std.....	\$290
TXSDG8 <input type="checkbox"/> Quad Removable w/Hole <input type="checkbox"/> Small <input type="checkbox"/> Std.....	\$295
TXSDG10 <input type="checkbox"/> Fixed (Requires Fixed Height Titanium Back.).....	\$390

Available on Aluminum and Carbon Fiber Non-Fendered Side Guards

TXSDG13 <input type="checkbox"/> Side Guards Custom Cut to Profile of Rear Wheels (Not available with Cloth.).....	\$295
--	--------------

ARMRESTS

TXARM1 <input type="checkbox"/> Swing Away Tubular (Not Available with Height Adjustable Push Handles or Folding Stabilizer Bar.).....	\$215
--	--------------

TXARM2 <input type="checkbox"/> Removable Height Adjustable Desk Arm with Rigid Side Guard (Requires 14" minimum Seat Depth Ⓞ .).....	\$295
<input type="checkbox"/> Standard Length Pad (10") OR <input type="checkbox"/> Full Length Pad (14") <input type="checkbox"/> 9" to 12" OR <input type="checkbox"/> 12" to 15"	

TXARM3 <input type="checkbox"/> Removable Height Adjustable Desk Arm with Rigid Side Guard and Transfer Loop (Requires 15" minimum Seat Depth Ⓞ .).....	\$340
<input type="checkbox"/> Standard Length Pad (10") OR <input type="checkbox"/> Full Length Pad (14") <input type="checkbox"/> 9" to 12" OR <input type="checkbox"/> 12" to 15"	

Available on all Armrests

TXARM5 <input type="checkbox"/> Covered in Black Ultrasuede.....	\$90
--	-------------

SEAT BELTS

TXBLT1 <input type="checkbox"/> Velcro Adjustable, Black Nylon Webbing.....	\$50
---	-------------

TXBLT2 <input type="checkbox"/> Bodypoint® 2" Push-Button Buckle (Auto-Style.).....	\$95
---	-------------

TXBLT4 <input type="checkbox"/> Bodypoint® 1" Wide Push-Button Buckle Padded (Auto-Style.) (Not available with 19" or 20" Rear Seat Widths Ⓐ .).....	\$155
---	--------------

TXBLT5 <input type="checkbox"/> Bodypoint® 1.5" Wide Push-Button Buckle Padded (Auto-Style.) (Not available with 19" or 20" Rear Seat Widths Ⓐ .).....	\$155
---	--------------

TXBLT6 <input type="checkbox"/> Bodypoint® 1.5" Wide Rehab Latch Buckle Padded (Airline-Style.) (Not available with 19" or 20" Rear Seat Widths Ⓐ .).....	\$155
--	--------------

TXBLT7 <input type="checkbox"/> Bodypoint® 1.5" Wide Plastic Side Release Padded (Not available with 19" or 20" Rear Seat Widths Ⓐ .).....	\$120
---	--------------

