

TiLite ZR Order Form

Effective January 1, 2012 (New Items in Red)

TITANIUM RIGID FRAME

Page 1 of 9

DEALER INFORMATION		RTS INFORMATION		
Dealer:		RTS:	Phone:	
Account:	PO:	Email:		
Ordered By:		SHIP TO INFORMATION		
Address:		Name:	Ship Via:	
City:	State:	Zip:	Address:	
Phone:	Fax:	City:	State:	Zip:
Email:		Phone:	Fax:	
Mark For:		TiLite Information	Promo Code:	
		Ship Date:	Order #:	

Please Fax or email orders to the SDL Customer Service Team



Satin TiLite ZR shown with Red Pepper Color Anodize Package and other available options.

FRAME STYLE

Z2FS1 **TiLite ZR** (Minimal Adjustability.) (265 Pound Weight Limit. Weight Limit is restricted to 150 pounds on chairs with Rear Seat Width **A** and Seat Depth **B** from 10"x10" to 12"x12".).....**\$3,995**

TiLite Special Editions If selecting one of the TiLite Special Editions you must still fill out the entire order form. Edition options will override inconsistent selections. Options cannot be added or deleted.

Z2P1 SuperLite Edition

Z2FTR2 Titanium Open Loop Footrest**\$210**

Seat Back Type

Z2SB2 Folding Titanium Back..... **\$185**

Z2SB5 Carbon Fiber TiShaft™ Back Release Bar (Not available with Non-Folding, Fixed Height Titanium Back.)..... **\$75**

OR

Z2SB15 Non-Folding, Fixed Height Titanium Back..... **\$205**

Z2CBR6 Carbon Fiber Camber Tube (Not available with a Power Adaptable Frame. When a Power Adaptable Frame is selected, a Aluminum Camber Tube will be used.)..... **\$195**

Z2FK2 TiLite Slipstream Single-Sided Fork..... **\$160**

Z2TS1 Titanium Fork Stems..... **\$55**

Retail: \$770 - \$815

SuperLite Edition Price: \$690

Z2P2 Active Edition

Z2FTR1 Titanium Footrest w/Flat ABS Cover..... **NCO**

Z2CBR3 Titanium Camber Tube..... **\$55**

Carbon Fiber Side Guards

Z2SDG8 Fold Down Rigid..... **\$440**

OR

Z2SDG11 Fendered Removable..... **\$415**

Retail: \$425 - \$450

Active Edition Price: \$360



THE ULTIMATE RIDE.®

tilite.com
2701 West Court Street | Pasco, Washington 99301
509.586.6117 Tel | 800.545.2266 Toll-Free
509.586.2413 Fax | 866.586.2413 Toll-Free Fax

THE TITANIUM EXPERTS.®

FRAME STYLE

Z2P3 **Rugged Edition** (Requires 14.5" minimum Rear Seat Height **Ⓞ**.)

- Z2CBR3 Titanium Camber Tube.....\$55
- Z2RW3 Spinergy SPOX Rear Wheels\$695
- ZRTR5 24", 25" or 26" Kenda® High Pressure (110 psi).....\$95

AND

- Z2RW2 TiLite Rear Wheels w/High Flange Hub\$270
- ZRTR6 24" Grey Knobby **OR** ZRTR7 26" Black Knobby.....\$105
- Z2AXL4 Additional Set of Stainless Quick Release Axles\$135

Retail: \$1,225

Rugged Edition Price: \$999

Z2HDR1 **Heavy Duty Edition** (300 Pound Weight Limit. No charge when 20" Rear Seat Width **Ⓐ** and 20" Seat Depth **Ⓞ** are selected.

Includes Tension Adjustable by Straps Back Upholstery. Requires Angle Adjustable Footrest, Folding Aluminum Adjustable Height Backrest, Billet Aluminum Front Wheels, TiLite Wheel w/High Flange Hub or Spinergy Spox or LX Rear Wheels. Not available w/ SuperLite or Active Edition, Carbon Fiber Camber Tube, Slipstream Fork, Velcro Adjustable Upholstery, Swing Away Tubular or Swing Away Flip Back Tubular.).....\$410

Z2RFR1 **Reinforced Frame** (No charge when Heavy Duty Edition or 20" Rear Seat Width **Ⓐ** and 20" Seat Depth **Ⓞ** are selected.)\$355

WHEELCHAIR TRANSPORT BRACKETS

Z2WTB **Wheelchair Transport Bracket Option** (Consists of four factory-installed wheelchair transport brackets. Unoccupied Use Only.).....\$250

THIS SECTION MUST BE READ

The TiLite ZR Series 2 with Wheelchair Transport Bracket Option (Z2WTB) was NOT crash-tested in accordance with ISO 7176-19 or ANSI/RESNA WC 19. Therefore, the Wheelchair Transport Bracket Option is intended ONLY to secure an unoccupied wheelchair in a motor vehicle. The U.S. Department of Transportation has not approved any tie-down system for transportation of a user while in a wheelchair in a moving vehicle of any type. It is TiLite's position that users of wheelchairs should be transferred into appropriate seating in motor vehicles and use the restraints made available by the auto industry.

FRAME FINISHES

Natural Titanium

- Z2FF1 SatinSTD
- Z2SCBT1 Satin Finish Buffing Pads.....\$20
- Z2FF2 Polished\$710
- Z2FF3 Tattooed Titanium™ (Tattoos on front frame tubes. Frame finished in Satin. Click on the images below to view the Tattoos online.)...\$295

Z2FF4 Rock & Roll



Z2FF5 Retro



Z2FF6 Mother Nature



Z2FF7 Henna



High Gloss Paint

- Z2FF8 Super Wet Black
- Z2FF11 Military Green

- Z2FF9 Sunburst Yellow
- Z2FF12 Orange Crush

Z2FF10 TiLite Red

Metallic Paint

- Z2FF14 Ocean Blue Metallic

- Z2FF15 Tangerine Metallic

Z2FF13 Hot Pink

Pearlescent Paint

- Z2FF17 Midnight Blue Pearl

- Z2FF18 White Pearl

Z2FF16 Salsa Red Metallic

Matte Paint

- Z2FF19 Black Lava

- Z2FF20 Deep Blue Ice

Z2FF21 Scarlet Ice

Candy Paint

- Z2FF27 Titanium Grey
- Z2FF22 Ruby Red
- Z2FF25 Electric Plum

- Z2FF23 Azure Blue
- Z2FF26 Atomic Green

Z2FF24 Root Beer Candy

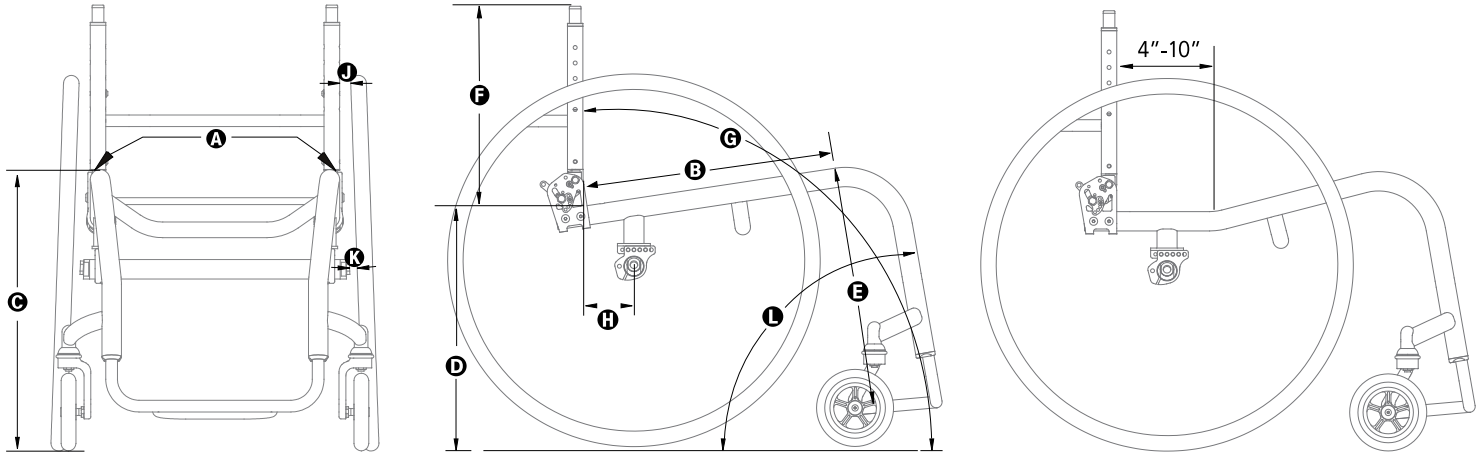
.....STD

COLOR ANODIZE PACKAGE

(Color Anodize Package includes: Aluminum Camber Tube, Camber Mount, Footrest Clamp, Caster Mount, Caster Fork, and Caster Cap. If no anodize color is selected, the default will be black.)

- Z2ANO1 Black.....STD
- Z2ANO5 Sapphire Z2ANO3 Red Pepper Z2ANO6 Burnt Orange Z2ANO7 Sub-Lime Z2ANO8 Ultraviolet\$140

FRAME MEASUREMENTS

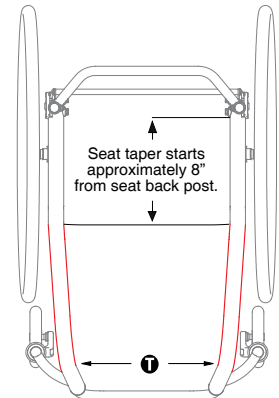


REAR SEAT WIDTH A Measure from outside of seat tube at back post to the outside of the opposite seat tube at back post.

- Z2SW4 10" 11" 12" 13" 14" 15" 16" 17" 18" 19".....**STD**
- Z2SW2 20".....**\$450**

FRONT SEAT WIDTH (SEAT TAPER) I Measure from inside of front frame tube to inside of opposite front frame tube.

- Z2FSW1 No Taper.....**STD**
- Z2FSW3 1.5" Taper (4" Narrower than Rear Seat Width. Includes Tension Adjustable by Straps Seat Upholstery. Not available with 10" and 11" Seat Widths A.).....**\$260**
- Z2FSW5 2.5" Taper (5" Narrower than Rear Seat Width. Includes Tension Adjustable by Straps Seat Upholstery. Not available with 10" to 14" Seat Widths A.).....**\$260**



SEAT DEPTH B Measure from front of back post to the front edge of seat sling. Front edge of seat sling will be at the beginning of the bend at front of chair frame, unless Frog Legs® or 90° Front Angle is ordered, in which case front edge of seat sling begins approximately 1" behind the bend.

- Z2SD1 10" 11" 12" 13" 14" 15" 16" 17" 18" 19".....**STD**
- Z2SD2 20".....**\$475**
- Z2SD3 Custom Frame Depth: _____" Frame Depth Longer or Shorter Than Seat Depth (A Custom Frame Depth of 20" is \$450 if Seat Depth B of 20" is not also selected.).....**NCO**

ERGONOMIC SEAT Measure from front of back post to beginning of upward bend of seat tube. **See Ergonomic Seat diagram above.** (Not available with Tension Adjustable Bolt On Seat Upholstery or G10 Solid Seat.)

- Z2ERG1 4" 5" 6" 7" 8" 9" 10".....**\$310**

FRONT SEAT HEIGHT C Measure from floor to top of seat tube at beginning of bend.

- Z2FSH1 16" 16.5" 17" 17.5" 18" 18.5" 19" 19.5" 20" 20.5" 21".....**STD**

REAR SEAT HEIGHT D Measure from floor to top of seat tube at back post.

REAR SEAT HEIGHT RANGES

Rear Wheel Size	ZR Rear Seat Heights D				
20"	12.5" - 20"	Z2RSH1	<input type="checkbox"/> 12.5"	<input type="checkbox"/> 13"	<input type="checkbox"/> 13.5" <input type="checkbox"/> 14"
22"	14.0" - 20"		<input type="checkbox"/> 14.5"	<input type="checkbox"/> 15"	<input type="checkbox"/> 15.5" <input type="checkbox"/> 16"
24"	14.5" - 20"		<input type="checkbox"/> 16.5"	<input type="checkbox"/> 17"	<input type="checkbox"/> 17.5" <input type="checkbox"/> 18"
25"	14.5" - 20"		<input type="checkbox"/> 18.5"	<input type="checkbox"/> 19"	<input type="checkbox"/> 19.5" <input type="checkbox"/> 20"..... STD
26"	15.5" - 20"				

FRAME MEASUREMENTS

FRONT ANGLE ❶ Measure from frame front to floor.

Z2FA1 70° 75° 80° 85° (Not available with 6" Front Wheels.) 90° (Not available with 5" or 6" Front Wheels.)**STD**

SEAT TO FOOTREST ❸/FOOTRESTS Measure from front edge of seat sling to top rear of footrest. **Measurement must be at least 2" shorter than Front Seat Height ❸.**

STANDARD FOOTRESTS

13.5" 14" 14.5" 15" 15.5" 16" 16.5" 17" 17.5" 18" 18.5" 19"

Z2FTR3 Angle Adjustable Footrest**STD**
 Z2FTR1 Titanium Footrest w/Flat ABS Cover (Not available w/ Heavy Duty Edition.).....**NCO**
 Z2FTR2 Titanium Open Loop Footrest (Not available w/ Heavy Duty Edition.).....**\$210**
 Z2FTR12 Titanium Flip-Back Footrest (Not available w/ 10" or 11" Rear Seat Width ❹, Heavy Duty Edition, ABS Cover w/ 2" Sides or Front Roller.).....**\$155**

HIGH MOUNT FOOTREST

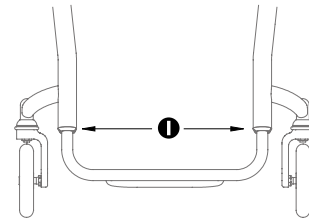
7"-9" 9"-11" 11"-13 Set at: _____ (Use 1/2" increments)
 Z2FTR4 Angle Adjustable High Mount Footrest.....**\$95**

Z2FTR14 **ABS Cover w/2" Sides** (Not available with Flip-Back Footrest or chairs with 10" or 11" Rear Seat Width ❹.).....**\$105**

FOOTREST WIDTH ❶ or ❷ Select either a Standard Front End if no Seat Taper ❶ is selected on page 3 or a V-Front End if a Seat Taper ❶ is selected on page 3.

Z2FE1 **STANDARD FRONT END ❶** Find your Rear Seat Width ❹ in the chart below and select one of the options to the right. Measure from inside of front frame tube to inside of opposite front frame tube.**STD**

REAR SEAT WIDTH ❹ (Outside Measurement)	FOOTREST WIDTH ❶		
	No Taper (2.5" Narrower than Rear Seat Width)	1.5" Taper (4" Narrower than Rear Seat Width)	3.5" Taper (6" Narrower than Rear Seat Width)
10"	<input type="checkbox"/> 7.5"		
11"	<input type="checkbox"/> 8.5"		
12"	<input type="checkbox"/> 9.5"	<input type="checkbox"/> 8"	
13"	<input type="checkbox"/> 10.5"	<input type="checkbox"/> 9"	
14"	<input type="checkbox"/> 11.5"	<input type="checkbox"/> 10"	
15"	<input type="checkbox"/> 12.5"	<input type="checkbox"/> 11"	<input type="checkbox"/> 9"
16"	<input type="checkbox"/> 13.5"	<input type="checkbox"/> 12"	<input type="checkbox"/> 10"
17"	<input type="checkbox"/> 14.5"	<input type="checkbox"/> 13"	<input type="checkbox"/> 11"
18"	<input type="checkbox"/> 15.5"	<input type="checkbox"/> 14"	<input type="checkbox"/> 12"
19"	<input type="checkbox"/> 16.5"	<input type="checkbox"/> 15"	<input type="checkbox"/> 13"
20"	<input type="checkbox"/> 17.5"	<input type="checkbox"/> 16"	<input type="checkbox"/> 14"



OR

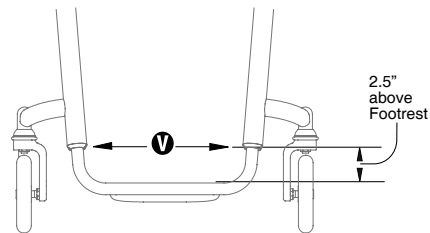
Z2FE2 **V-FRONT END ❷** Measure from inside of front frame tube to inside of opposite front frame tube 2-1/2" above footrest. (Titanium Flip-Back Footrest has 1" of adjustment up and down.).....**NCO**

NO V-Front Taper (Required when both Heavy Duty Edition and Seat Taper ❶ are selected.)

OR

FOOTREST WIDTH ❷

7" 7.5" 8" 8.5" 9" 9.5"
 10" 10.5" 11" 11.5" 12" 12.5"
 13" 13.5" 14" 14.5" 15" 15.5"
 16" 16.5" 17" 17.5" 18"



SEAT BACK TYPE/PUSH HANDLES/SEAT BACK HEIGHT ❸ Measure from top of back post to top of seat tube at rear of frame.

SEAT BACK TYPE

Z2SB1 Folding Aluminum Adjustable Height (Required for Heavy Duty Edition.).....**NCO**
 Z2SB2 Folding Titanium Adjustable Height (Titanium back will match Frame Finish. Not available with Bolt-On Push Handles.).....**\$185**
 Z2SB11 Seat Back that Locks when Folded.....**NCO**
 Z2SB15 Non-Folding, Fixed Height Titanium (Not available with Transport Brackets. Titanium back will match Frame Finish.).....**\$205**

TISHAFT™ BACK RELEASE BARS (Not available with Non-Folding, Fixed Height Titanium Back.)

Z2SB3 Aluminum.....**STD**
 Z2SB4 Titanium.....**\$40**
 Z2SB5 Carbon Fiber.....**\$75**

FRAME MEASUREMENTS

PUSH HANDLES

- Z2SB6 Integrated Push Handles (Not available with Non-Folding, Fixed Height Titanium Back.).....**NCO**
- Z2SB7 Integrated Fold-Down Push Handles (Requires Tension Adjustable by Straps Back Upholstery. Not available with Non-Folding, Fixed Height Titanium Back.).....**\$115**
- Z2SB8 Bolt-On Push Handles (Includes 4" Deep Backrest Rigidizer Bar. Not available with Ti Back.).....**\$185**
- Z2SB9 Bolt-On Height-Adjustable Push Handles (Includes 4" Deep Backrest Rigidizer Bar. Not available with Ti Back.).....**\$310**

SEAT BACK HEIGHT

FOLDING BACKREST

Push Handles	Short	Medium	Tall	Set at: (Use 1/2" increments)
None	<input type="checkbox"/> 8.5"- 11.5"	<input type="checkbox"/> 12"- 16.5"	<input type="checkbox"/> 16.5"- 20.5"	Set at: _____
Integrated	<input type="checkbox"/> 10.5"- 12.5"	<input type="checkbox"/> 13.5"- 16.5"	<input type="checkbox"/> 17.5"- 20.5"	Set at: _____
Integrated Fold-Down	<input type="checkbox"/> 13"- 15.5"	<input type="checkbox"/> 14.5"- 19"	<input type="checkbox"/> 18.5"- 21"	Set at: _____

Z2SB15 NON-FOLDING, FIXED-HEIGHT TITANIUM SEAT BACK (Titanium back will match Frame Finish.)

- 8" 8.5" 9" 9.5" 10" 10.5" 11" 11.5" 12" 12.5"
- 13" 13.5" 14" 14.5" 15" 15.5" 16" 16.5" 17" 17.5"
- 18" 18.5" 19" 19.5" 20"

AVAILABLE ON ALL BACKS

- Z2SB12 4" Deep Backrest Rigidizer Bar (Required for Heavy Duty Edition.).....**NCO**
 - Z2SB13 Custom Height Backrest Rigidizer Bar (The Standard Rigidizer Bar height is 5" above the Seat Sling for a short, 6-1/4" for a medium and 10-1/4" for a tall. Custom Height Rigidizer Bar must be at least 4-1/2" above Seat Sling or 5-3/4" above Seat Sling when used with 11" - 14" Swing Away Tubular Armrests. Maximum Height is 3" less than Lowest Seat Back Height.).....**\$150**
- Set at: _____ (Use 1/4" increments)

SEAT BACK ANGLE Measure angle from front of back post to floor. 90° will be perpendicular to the floor. To approximate the angle from the back post to the seat, subtract 2 degrees from measurement **G** for every 1/2" of dump.

Z2BA2 Folding Back

- 80° 83° 86° 89° 92° 95° 98° 101°.....**NCO**

Z2BA3 Non-Folding Back

- 80° 81° 82° 83° 84° 85° 86° 87° 88° 89° 90° 91°
- 92° 93° 94° 95° 96° 97° 98° 99° 100° 101°.....**NCO**

CENTER OF GRAVITY Measure from front of back post at the seat tube to the center of the rear axle. If no center of gravity is selected, chair will ship with the center of gravity in the rearward-most position.

- Z2COG1 0" .25" .5" .75" 1" 1.25" 1.5" 1.75" 2" 2.25" 2.5" 2.75"
- 3" 3.25" 3.5" 3.75" 4" 4.25" 4.5" 4.75" 5" 5.25" 5.5" 5.75"
- 6".....**STD**

REAR WHEEL SPACING Measure from outside of seat back post to inside of rear tire. 3/4" Rear Wheel Spacing not available with 0° or 2° Camber **I**.

- Z2RWS1 .75" 1" 1.25" 1.5" 1.75" 2".....**STD**

CAMBER /CAMBER TUBES

- Z2CBR1 0° 2° 4° 6° 8° 12°**STD**
- Z2CBR2 15° 18°.....**\$85**
- Z2CBR3 Titanium Camber Tube (Not available with a Power Adaptable Frame.).....**\$55**
- Z2CBR6 Carbon Fiber Camber Tube (Not available with Power Adaptable Frame or Heavy Duty Edition.).....**\$195**
- Z2CBR5 Additional Aluminum Camber Tube 0° 2° 4° 6° 8° 12° 15° 18°.....**\$115**
- Z2CBR4 Additional Titanium Camber Tube 0° 2° 4° 6° 8° 12° 15° 18°.....**\$115**
- Z2CBR7 Additional Carbon Fiber Camber Tube 0° 2° 4° 6° 8° 12° 15° 18°.....**\$250**
- Z2CBR9 Additional Spacers to Increase Rear Wheel Spacing.....**NCO**

CHAIR OPTIONS

FRONT WHEELS

Z2FW1	<input type="checkbox"/> 3"x.75" Micro-Caster (Not available with Slipstream Fork or Heavy Duty Edition.).....	STD
Z2FW2	<input type="checkbox"/> 3"x.75" Light-Up Micro-Caster (Not available with Slipstream Fork or Heavy Duty Edition.).....	\$70
Z2FW23	<input type="checkbox"/> 3"x1.5" Billet Aluminum Micro Caster w/Soft Roll Tire (Available with Slipstream Fork only.).....	\$155
Z2FW14	<input type="checkbox"/> 4"x.75" Plastic Wheel w/Poly Tire (Not available with Slipstream Fork or Heavy Duty Edition.).....	NCO
Z2FW3	<input type="checkbox"/> 4"x.75" Light-Up Micro-Caster (Not available with Slipstream Fork or Heavy Duty Edition.).....	\$70
Z2FW19	<input type="checkbox"/> 4"x.75" Performance 5 Spoke Billet Aluminum Wheel w/Poly Tire <input type="checkbox"/> Silver Hub OR <input type="checkbox"/> Black Hub.....	\$130
Z2FW20	<input type="checkbox"/> 4"x1" Performance 5 Spoke 2-Piece Billet Aluminum Wheel w/Soft Roll Tire <input type="checkbox"/> Silver Hub OR <input type="checkbox"/> Black Hub.....	\$170
Z2FW15	<input type="checkbox"/> 4"x1.5" Plastic Wheel w/Poly Tire (Not available w/ Heavy Duty Edition.).....	\$80
Z2FW6	<input type="checkbox"/> 5"x1" Plastic Wheel w/Poly Tire (Not available with 90° Front Angle Ⓛ , Slipstream Fork or Heavy Duty Edition.).....	NCO
Z2FW21	<input type="checkbox"/> 5"x1" Performance 5 Spoke Billet Aluminum Wheel w/Poly Tire <input type="checkbox"/> Silver Hub OR <input type="checkbox"/> Black Hub (Not available with 90° Front Angle Ⓛ .).....	\$150
Z2FW22	<input type="checkbox"/> 5"x1" Performance 5 Spoke 2-Piece Billet Aluminum Wheel w/Soft Roll Tire <input type="checkbox"/> Silver Hub OR <input type="checkbox"/> Black Hub (Not available with 90° Front Angle Ⓛ .).....	\$190
Z2FW18	<input type="checkbox"/> 5"x1.5" Plastic Wheel w/Poly Tire (Not available with 90° Front Angle Ⓛ or Heavy Duty Edition.).....	\$80
Z2FW9	<input type="checkbox"/> 6"x1" Plastic Wheel w/Poly Tire (Not available with 85° or 90° Front Angle Ⓛ , Slipstream Fork or Heavy Duty Edition.).....	NCO
Z2FW11	<input type="checkbox"/> 6"x1" Billet Aluminum Wheel w/Poly Tire <input type="checkbox"/> Silver Hub OR <input type="checkbox"/> Black Hub (Not available with 85° or 90° Front Angle Ⓛ , Slipstream Fork or Heavy Duty Edition.).....	\$170
Z2FW10	<input type="checkbox"/> 6"x1.25" Plastic Wheel w/Pneumatic Tire (Not available with 85° or 90° Front Angle Ⓛ , Slipstream Fork or Heavy Duty Edition.).....	\$75
Z2FW12	<input type="checkbox"/> 6"x1.25" Billet Aluminum Wheel w/Pneumatic Tire <input type="checkbox"/> Silver Hub OR <input type="checkbox"/> Black Hub (Not available with 85° or 90° Front Angle Ⓛ or with Slipstream Fork.).....	\$185
Z2FW13	<input type="checkbox"/> 6"x1.25" 2-Piece Billet Aluminum Wheel w/Soft Roll Tire (Not available with 85° or 90° Front Angle Ⓛ or with Slipstream Fork.).....	\$195
Z2FW0	<input type="checkbox"/> Omit Front Wheels (Must Choose Wheel Size Above).....	\$0.00

FRONT FORKS

Z2FK1	<input type="checkbox"/> TiLite Standard Fork.....	STD
Z2FK2	<input type="checkbox"/> TiLite Slipstream Single-Sided Fork (Not available w/ Heavy Duty Edition.).....	\$160
Z2FRG1	<input type="checkbox"/> Frog Legs® Suspension Forks (Available in Black anodize only.).....	\$425
Z2TS1	<input type="checkbox"/> Titanium Fork Stems (Not available with Frog Legs®.).....	\$55

REAR WHEELS See Rear Seat Height Ranges chart on Page 3 for Rear Seat Height **Ⓛ** limitations.

Z2RW14	TiLite SHADOW™ (Not available with Titanium Quick Release Axles or Heavy Duty Edition.).....	STD
	<input type="checkbox"/> 20"(451)	
	<input type="checkbox"/> 22"(501)	
	<input type="checkbox"/> 24"(540)	
	<input type="checkbox"/> 25"(559) (Requires 15" minimum Seat Depth Ⓛ .)	
	<input type="checkbox"/> 26"(590) (Requires 15" minimum Seat Depth Ⓛ .)	
Z2RW12	TiLite DASH (Not available with Titanium Quick Release Axles or Heavy Duty Edition.).....	\$100
	<input type="checkbox"/> 20"(451)	
Z2RW5	TiLite High Flange Hub (Not available with Titanium Quick Release Axles.).....	\$270
	<input type="checkbox"/> 24"(540)	
	<input type="checkbox"/> 25"(559) (Requires 15" minimum Seat Depth Ⓛ .)	
	<input type="checkbox"/> 26"(590) (Requires 15" minimum Seat Depth Ⓛ .)	
Z2RW13	Golz TWIN-STAR Exchange (Not available with Titanium Quick Release Axles.).....	\$895
	<input type="checkbox"/> 24"(540)	
	<input type="checkbox"/> 25"(559) (Requires 15" minimum Seat Depth Ⓛ .)	
Z2RW7	Spinergy SPOX <input type="checkbox"/> Black <input type="checkbox"/> Red <input type="checkbox"/> Yellow <input type="checkbox"/> Blue <input type="checkbox"/> White.....	\$695
	<input type="checkbox"/> 22"(501) - Std. Hub	
	<input type="checkbox"/> 24"(540) - Std. Hub	
	<input type="checkbox"/> 25"(559) - Std. Hub (Requires 15" minimum Seat Depth Ⓛ .)	
	<input type="checkbox"/> 26"(590) - Sport Hub (Requires 15" minimum Seat Depth Ⓛ . Not available with Titanium Quick Release or Quad Release Axles.)	
Z2RW8	Spinergy LX <input type="checkbox"/> Black <input type="checkbox"/> Red <input type="checkbox"/> Yellow <input type="checkbox"/> Blue <input type="checkbox"/> White <input type="checkbox"/> Go Green <input type="checkbox"/> Bright Orange <input type="checkbox"/> Flamingo Pink (Please allow an additional 2-3 weeks delivery on Go Green, Bright Orange and Flamingo Pink.)... \$895	
	<input type="checkbox"/> 22"(501) - Std. Hub	
	<input type="checkbox"/> 24"(540) - Std. Hub	
	<input type="checkbox"/> 25"(559) - Std. Hub (Requires 15" minimum Seat Depth Ⓛ .)	
	<input type="checkbox"/> 26"(590) - Sport Hub (Requires 15" minimum Seat Depth Ⓛ . Not available with Titanium Quick Release or Quad Release Axles.)	
Z2RW11	Skyway Mags <input type="checkbox"/> 22" <input type="checkbox"/> 24" (Not available with Short Tabs, Titanium Quick Release Axles, Quad Release Axles or Spoke Guards or Heavy Duty Edition.).....	\$80
Z2RW0	<input type="checkbox"/> Omit Rear Wheels (Must choose Wheel Size and Tire Type below.).....	\$0

AXLES

Z2AXL1	<input type="checkbox"/> Stainless Quick Release.....	STD
Z2AXL2	<input type="checkbox"/> Titanium Quick Release (Not available with TiLite High Flange Hub, SHADOW, Skyway Mags, 26"(590) Spinergy SPOX or LX Rear Wheels or Power Adaptable Frame.).....	\$215
Z2AXL3	<input type="checkbox"/> Quad Release (Not available with Skyway Mags or 26"(590) Spinergy Spox or LX Rear Wheels.).....	\$105

CHAIR OPTIONS

PNEUMATIC REAR TIRES

Z2RTR1 <input type="checkbox"/> Treaded (Not available with 25"(559) Rear Wheels.).....	STD
Z2RTR2 <input type="checkbox"/> Airless Inserts	\$90
Z2RTR3 <input type="checkbox"/> 25" Primo Treaded (Standard with 25"(559) Rear Wheels.).....	STD
Z2RTR4 <input type="checkbox"/> Primo.....	NCO
Z2RTR16 <input type="checkbox"/> 20" Kenda® Grey High Pressure (110psi)	\$95
Z2RTR5 <input type="checkbox"/> 24", 25" and 26" Kenda® High Pressure (110psi) <input type="checkbox"/> Grey <input type="checkbox"/> Red <input type="checkbox"/> Blue.....	\$95
Z2RTR6 <input type="checkbox"/> 24" Grey Knobby (Requires TiLite Wheel with High Flange Hub.).....	\$105
Z2RTR7 <input type="checkbox"/> 26" Black Knobby (Requires TiLite Wheel with High Flange Hub or Spinergy SPOX or Spinergy LX Rear Wheels.).....	\$105
Z2RTR8 <input type="checkbox"/> 24", 25" and 26" Schwalbe® Marathon Plus Evolution.....	\$90
Z2RTR9 <input type="checkbox"/> 24" and 25" Schwalbe® SpeedRun.....	\$135

SOLID REAR TIRES

Z2RTR10 <input type="checkbox"/> 20" (451) Street Tread.....	\$85
Z2RTR11 <input type="checkbox"/> 22" (501) Pyramid.....	\$85
Z2RTR13 <input type="checkbox"/> 24"(540) and 25"(559) Herringbone Tread.....	\$95
Z2RTR15 <input type="checkbox"/> 24"(540) and 25"(559) Treaded.....	\$95

HANDRIMS

Handrims by OUT-FRONT® (If the Rugged Edition is selected on Page 2, please select two sets of handrims and indicate SPOX or High Flange next to each of your selections to indicate that they should be attached to either the Spinergy SPOX or TiLite High Flange Rear Wheels.)

Z2RIM1 <input type="checkbox"/> Aluminum – Silver Anodized.....	STD
Titanium (Not available with Skyway Mags, 20" or 22" Rear Wheels, or 24" Knobby tires.)	
Z2RIM12 <input type="checkbox"/> Satin Finish.....	\$440
Z2RIM13 <input type="checkbox"/> Polished Finish.....	\$615
The Natural-Fit® (Original, Larger Profile) (Not available with 22" Skyway Mags.)	
Z2RIM14 <input type="checkbox"/> Standard Grip (Not available with Short Tabs.).....	\$325
Z2RIM15 <input type="checkbox"/> Super Grip (Not available with Short Tabs.).....	\$375
Z2RIM16 <input type="checkbox"/> Without Thumb Grip.....	\$295
The Natural-Fit® LT (Reduced Weight, Smaller Profile) (Not available with 22" Skyway Mags.)	
Z2RIM17 <input type="checkbox"/> Standard Grip (Not available with Short Tabs.).....	\$360
Z2RIM18 <input type="checkbox"/> Super Grip (Not available with Short Tabs.).....	\$405
Z2RIM19 <input type="checkbox"/> Without Thumb Grip.....	\$330
Z2RIM10 <input type="checkbox"/> The Surge (All-In-One Oval with Gription™ Strip, Larger Profile) (Not available with 22" Skyway Mags.).....	\$325
Z2RIM11 <input type="checkbox"/> The Surge LT (All-In-One Oval with Gription™ Strip, Smaller Profile) (Not available with 22" Skyway Mags.).....	\$360
Z2RIM20 <input type="checkbox"/> Q-Grip (Exclusive High-Friction, Anti-Slip Coating) (Not available with 20", 22" or 26" Rear Wheels or Skyway Mags.).....	\$285

Additional Handrims

Z2RIM9 <input type="checkbox"/> Spinergy FlexRim (Available only on 24" and 25" Spinergy LX Rear Wheels. Please allow an additional 2-3 weeks delivery.).....	\$525
Z2RIM5 <input type="checkbox"/> Plastic Coated – (Black only).....	\$105
Z2RIM6 <input type="checkbox"/> Projections - 8 Vertical Projections (Not available with 20", 22" or 26" Rear Wheels or Skyway Mags.).....	\$265
Z2RIM0 <input type="checkbox"/> Omit Handrims.....	\$0.00

Tab Length

Z2RIM7 <input type="checkbox"/> Long Tabs.....	STD
Z2RIM8 <input type="checkbox"/> Short Tabs (Not available with Skyway Mags or The Natural-Fit® Handrims with Thumb Grip.).....	\$20

WHEEL LOCKS

Z2WLK7 <input type="checkbox"/> Compact Composite Push to Lock (Available with .75" to 1.5" Rear Wheel Spacing 1 only).....	NCO
Z2WLK8 <input type="checkbox"/> Compact Composite Pull to Lock (Available with .75" to 1.5" Rear Wheel Spacing 1 only).....	NCO
Z2WLK10 <input type="checkbox"/> Extension Handles for Compact Composite Push/Pull to Lock.....	\$75
Z2WLK9 <input type="checkbox"/> Composite Scissor Lock.....	\$110
Z2WLK5 <input type="checkbox"/> Black Aluminum Scissor Lock.....	\$150
Z2WLK3 <input type="checkbox"/> Uni-Lock Set At: <input type="checkbox"/> Push OR <input type="checkbox"/> Pull.....	\$135
Z2WLK4 <input type="checkbox"/> Extension Handles for Uni-Lock.....	\$75

UPHOLSTERY COLORS

Z2UPC1 <input type="checkbox"/> Black.....	STD
Z2UPC3 Ultrasuede Backrest Stripe <input type="checkbox"/> Black <input type="checkbox"/> Sapphire <input type="checkbox"/> Red Pepper <input type="checkbox"/> Burnt Orange <input type="checkbox"/> Sub-Lime <input type="checkbox"/> Ultraviolet <input type="checkbox"/> Espresso.....	\$90

BACK UPHOLSTERY

Z2BUP2 <input type="checkbox"/> Velcro Adjustable (Not available with Fold-Down Push Handles or Heavy Duty Edition.).....	STD
Z2BUP3 <input type="checkbox"/> Tension Adjustable by Straps (Required with Heavy Duty Edition and Fold-Down Push Handles.).....	\$95
Z2BUP0 <input type="checkbox"/> Omit Back Upholstery.....	NCO
Z2BUP4 <input type="checkbox"/> Ride Designs® Corbac™ Adjustable Contour Back Support (Black Only. Not available with Fold-Down Push Handles. See Chart on Page 8.)	\$455

CHAIR OPTIONS

CORBAC™ SEAT WIDTH/BACK HEIGHT AVAILABILITY CHART

Rear Seat Width A	Seat Back Height B
14"	13" - 15"
15"	13" - 16"
16"	14" - 16"
17"	14" - 16"
18"	14" - 16"

SEAT UPHOLSTERY

- Z2SUP1 Tension Adjustable Bolt On (Not available with Ergonomic or Tapered Seat **B**. Black only.).....**STD**
iSleeve™ Under Seat Smartphone Holder (Not available with 10" to 13" Rear Seat Width **A** or Seat Depth **B**.).....**STD**
- Z2SUP2 Tension Adjustable by Straps (Standard Front Seat Width (Seat Taper) **B** of 1.5" and 2.5". Black only.).....**\$145**
- Z2SUP3 G10 Solid Seat (Not available with 10" or 11" Rear Seat Width **A**.).....**\$245**
- Z2SUP0 Omit Seat Upholstery.....**NCO**

SEAT CUSHIONS

- Z2CSH1 Foam Cushion 2" 3" 4".....**\$105**

SIDE GUARDS

- Z2SDG1 Cloth (Not available with Ride Designs® Corbac™ back support.).....**\$75**

Aluminum

- Z2SDG2 Rigid Removable Small **OR** Std.....**\$175**
- Z2SDG3 Quad Removable w/Hole Small **OR** Std.....**\$185**
- Z2SDG4 Fold Down Rigid Small **OR** Std (Not available with Ergonomic Seat.).....**\$295**
- Z2SDG6 Fendered Adjustable (Available with 24" and 25" Rear Wheels. Requires Rear Seat Height **B** of 14.5" to 18.5").....**\$295**

Carbon Fiber

- Z2SDG7 Rigid Removable Small **OR** Std.....**\$290**
- Z2SDG8 Quad Removable w/Hole Small **OR** Std.....**\$295**
- Z2SDG9 Fold Down Rigid Small **OR** Std (Not available with Ergonomic Seat.).....**\$440**
- Z2SDG10 Fixed (Requires Non-Folding, Fixed-Height Titanium Seat Back.).....**\$415**
- Z2SDG11 Fendered Fixed (Requires Non-Folding, Fixed-Height Titanium Seat Back.).....**\$495**
- Z2SDG12 Fendered Removable.....**\$415**

Available on Aluminum and Carbon Fiber Non-Fendered Side Guards

- Z2SDG13 Side Guards Custom Cut to Profile of Rear Wheels (Not available with Cloth.).....**\$275**

ARMRESTS

- Z2ARM1 Swing Away Tubular 9" to 12" **OR** 11" to 14" (Not available w/ Heavy Duty Edition.).....**\$215**
- Z2ARM4 Swing Away - Flip Back Tubular 6" to 9" **OR** 9" to 12" (Not available w/ Heavy Duty Edition.).....**\$295**
- Available on all Armrests**
- Z2ARM5 Covered in Black Ultrasuede.....**\$90**

SEAT BELTS

- Z2BLT1 Velcro Adjustable, Black Nylon Webbing.....**\$50**
- Z2BLT2 Bodypoint® 2" Push-Button Buckle (Auto-Style.).....**\$95**
- Z2BLT4 Bodypoint® 1" Wide Push-Button Buckle Padded (Auto-Style.) (Not available with 19" or 20" Rear Seat Widths **A**.).....**\$155**
- Z2BLT5 Bodypoint® 1.5" Wide Push-Button Buckle Padded (Auto-Style.) (Not available with 19" or 20" Rear Seat Widths **A**.).....**\$155**
- Z2BLT6 Bodypoint® 1.5" Wide Rehab Latch Buckle Padded (Airline-Style.) (Not available with 19" or 20" Rear Seat Widths **A**.).....**\$155**
- Z2BLT7 Bodypoint® 1.5" Wide Plastic Side Release Padded (Not available with 19" or 20" Rear Seat Widths **A**.).....**\$120**

CHAIR OPTIONS

CALF STRAP

Z2CLF1 <input type="checkbox"/> Buckle Adjustable, Black Nylon Webbing.....	\$25
Z2CLF2 <input type="checkbox"/> Velcro Adjustable	\$40
<input type="checkbox"/> Xtra Small (Recommended for 10"- 13" Seat Widths)	
<input type="checkbox"/> Small (Recommended for 12"- 15" Seat Widths)	
<input type="checkbox"/> Medium (Recommended for 14"- 18" Seat Widths)	
<input type="checkbox"/> Large (Recommended for 17"- 19" Seat Widths)	
<input type="checkbox"/> Xtra Large (Recommended for 18"- 20" Seat Widths)	
Z2CLF3 <input type="checkbox"/> Bodypoint Padded Velcro Adjustable	\$85
<input type="checkbox"/> Small (Recommended for 10"- 11" Seat Widths)	
<input type="checkbox"/> Medium (Recommended for 12"- 15" Seat Widths)	
<input type="checkbox"/> Large (Recommended for 16"- 20" Seat Widths)	

BACK PACK

Z2BCK1 <input type="checkbox"/> Small - Black Nylon	\$55
Z2BCK2 <input type="checkbox"/> Large - Black Nylon.....	\$70

SEAT POUCH

Z2PCH1 <input type="checkbox"/> Small - Black Nylon.....	\$45
Z2PCH2 <input type="checkbox"/> Large - Black Nylon.....	\$50

SPOKE GUARDS

Z2GRD1 <input type="checkbox"/> Clear with TiMotion Logo (Not available with Skyway Mags or 20" Rear Wheels.)	\$85
---	------

ANTI-TIPS

Z2TIP1 <input type="checkbox"/> Black Aluminum.....	\$0.00
Z2TIP2 <input type="checkbox"/> User Friendly Flip-up (Not available with Power Adaptable Frame.).....	\$250

ACCESSORIES

Z2UEST1 <input type="checkbox"/> Upper Extremity Support Tray <input type="checkbox"/> 12" to 14" OR <input type="checkbox"/> 13" to 15" Seat Widths A (Requires Armrests.).....	\$250
Z2LUG1 <input type="checkbox"/> Luggage Carriers.....	\$140
Z2MPCT2 Neoprene Impact Guards with Ultrasuede Stripe <input type="checkbox"/> Black <input type="checkbox"/> Sapphire <input type="checkbox"/> Red Pepper <input type="checkbox"/> Burnt Orange	
<input type="checkbox"/> Sub-Lime <input type="checkbox"/> Ultraviolet <input type="checkbox"/> Espresso.....	\$95
Z2CAT1 <input type="checkbox"/> Catch-All.....	\$150
Z2CH1 <input type="checkbox"/> Crutch Holder.....	\$95
Z2TS1 TiLite T-Shirt <input type="checkbox"/> Small <input type="checkbox"/> Medium <input type="checkbox"/> Large <input type="checkbox"/> X-Large <input type="checkbox"/> XX-Large.....	\$25
Z2TIP5 <input type="checkbox"/> Front Roller (Requires that Seat to Footrest Measurement B be at least 3" shorter than Front Seat Height C . Not available w/ Titanium Flip-Back Footrest.).....	\$95
Z2HS1 <input type="checkbox"/> TiLite 9 Piece SAE Round Handle Folding Hex Key Set.....	\$25

DESIGNS UNLIMITED



TiLite's ZR offers more than 15 million different frame combinations! But sometimes even that's not enough. If you would like to customize your TiLite, check out the Designs Unlimited Studio at tilite.com. There you will find drawings and pricing for hundreds of creative solutions to customers' customization requests. We call these "D.U.'s." I. just for you. Designs Unlimited customization may add an additional 2 to 3 weeks to the ship time of your chair.

GENERAL

TiLite manufactures a wide variety of wheelchairs to meet the varied needs of wheelchair users. The final selection of a particular model, its options and accessories, and its measurements rests solely with the wheelchair user and advising healthcare professional. TiLite wheelchairs must be fitted by a qualified healthcare professional.

Get the latest order forms at tilite.com Prices, standard features, options and accessories are subject to change without notice. All rights reserved. Trademarks are identified by symbols™ and ®. TiLite, the TiLite logo, Ti, the Ti logo, The Titanium Experts, TiShaft and The Ultimate Ride are registered trademarks of TiSport, LLC. Adobe®, Acrobat®, Acrobat Professional® and Reader® are registered trademarks of Adobe Systems Inc. Bodypoint® is a registered trademark of Bodypoint Inc. Frog Legs® is a registered trademark of Frog Legs, Inc. Kenda® is a registered trademark of Kenda Rubber Industrial Co Ltd. Ride Designs® and Corbac® are registered trademark of Aspen Seating, LLC. ROHO®, Low Profile® and Quadro Select® are registered trademarks of ROHO Inc. Schwalbe® is a registered trademark of Ralf Bohle GmbH. Supraco®, . The Natural-Fit® is a registered trademark of Three Rivers Holdings, LLC. Varilite® is a registered trademark of Cascade Designs, Inc.

NOTES