

# TiLite ZRA Order Form

Effective January 1, 2012 (New Items in Red)

TITANIUM RIGID FRAME

Page 1 of 9

DEALER INFORMATION		RTS INFORMATION	
Dealer:		RTS:	Phone:
Account:	PO:	Email:	
Ordered By:		SHIP TO INFORMATION	
Address:		Name:	Ship Via:
City:	State:	Zip:	
Phone:	Fax:	Address:	
Email:		City:	State:
Mark For:		Zip:	
		Phone:	Fax:
		TiLite Information	
		Ship Date:	Promo Code:
			Order #:

Please Fax or email orders to the SDL Customer Service Team



Satin TiLite ZRA shown with Burnt Orange Color Anodize Package and other available options.

## FRAME STYLE

Z2FS2  **TiLite ZRA** (Full Adjustability.) (265 Pound Weight Limit. . Weight Limit is restricted to 150 pounds on chairs with Rear Seat Width **A** and Seat Depth **B** from 10"x10" to 12"x12".).....**\$3,695**

**TiLite Special Editions** If selecting one of the TiLite Special Editions you must still fill out the entire order form. Edition options will override inconsistent selections. Options cannot be added or deleted.

### Z2P1 SuperLite Edition

Z2FTR1 Titanium Footrest w/Flat ABS Cover..... **\$150**  
 Z2SB2 Folding Titanium Backrest..... **\$185**  
 Z2SB7 Carbon Fiber TiShaft™ Back Release Bar..... **\$75**  
 Z2CBR6 Carbon Fiber Camber Tube (Not available with a Power Adaptable Frame. When a Power Adaptable Frame is selected, a Aluminum Camber Tube will be used.)..... **\$195**  
 Z2FK2 TiLite Slipstream Single-Sided Fork..... **\$160**  
 Z2TS1 Titanium Fork Stems..... **\$55**

**Retail: \$820**

**SuperLite Edition Price: \$695**

### Z2P2 Active Edition

Z2FTR1 Titanium Footrest w/Flat ABS Cover..... **\$150**  
 Z2CBR3 Titanium Camber Tube..... **\$55**  
**Carbon Fiber Side Guards**  
 Z2SDG9 Fold Down Rigid..... **\$440**

**OR**

Z2SDG12 Fendered Removable..... **\$415**

**Retail: \$620 - \$645**

**Active Edition Price: \$540**



THE ULTIMATE RIDE.®

tilite.com  
 2701 West Court Street | Pasco, Washington 99301  
 509.586.6117 Tel | 800.545.2266 Toll-Free  
 509.586.2413 Fax | 866.586.2413 Toll-Free Fax

THE TITANIUM EXPERTS.®

## FRAME STYLE

Z2P3 <input type="checkbox"/> <b>Rugged Edition</b> (Requires 14.5" minimum Rear Seat Height <b>D</b> .)	
Z2CBR3 Titanium Camber Tube.....	\$55
Z2RW3 Spinergy SPOX Rear Wheels .....	\$695
ZRTR5 24", 25" or 26" Kenda® High Pressure (110 psi).....	\$95
<b>AND</b>	
Z2RW2 TiLite Rear Wheels w/High Flange Hub .....	\$270
ZRTR6 <input type="checkbox"/> 24" Grey Knobby <b>OR</b> ZRTR7 <input type="checkbox"/> 26" Black Knobby.....	\$105
Z2AXL4 Additional Set of Stainless Quick Release Axles .....	\$135
	<b>Retail: \$1,355</b>
	<b>Rugged Edition Price: \$1,095</b>

Z2HDR1  **Heavy Duty Edition** (300 Pound Weight Limit. No charge when 20" Rear Seat Width **A** and 20" Seat Depth **B** are selected. Includes Tension Adjustable by Straps Back Upholstery. Requires Angle Adjustable Footrest, Folding Aluminum Adjustable Height Backrest, Billet Aluminum Front Wheels, TiLite Wheel w/High Flange Hub or Spinergy Spox or LX Rear Wheels. Not available w/ SuperLite or Active Edition, Carbon Fiber Camber Tube, Slipstream Fork, Velcro Adjustable Upholstery, Swing Away Tubular or Swing Away Flip Back Tubular.).....**\$410**

Z2RFR1  **Reinforced Frame** (No charge when Heavy Duty Edition or 20" Rear Seat Width **A** and 20" Seat Depth **B** are selected.).....**\$355**

## TRANSIT TIE-DOWN OPTION

Z2TTD0  Transit Tie-Down Option – Consists of four factory-installed Transit Tie-Down Brackets and Reinforced Frame. Occupied Transit Use. (165-Pound Weight Limit. Not available in Heavy Duty Edition.) ..... **\$250**

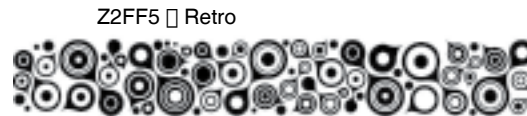
### THIS SECTION MUST BE READ

The TiLite ZRA Series 2 with Transit Tie-Down Option (Z2TTD0) was crash-tested in accordance with ISO 7176-19 Frontal Impact Test requirements for wheelchairs with 130-lb (59 kg) crash dummy, which corresponds to a person with a weight of 125-165 pounds (57-75 kg), utilizing vehicle-anchored pelvic and shoulder belts. The crash-tested chair was configured as follows: 16" Seat Width, 16" Seat Depth, 70° Front Angle, 10" Titanium Footrest with ABS Cover, 17.5" – 20.5" Folding Aluminum Adjustable Height Backrest set at 20.5° and 98°, Tension-Adjustable by Straps Back Upholstery, Bolt-On Seat Sling Upholstery and no armrests. While the Transit Tie-Down Option is compatible with, and can be purchased with, additional seat sizes, optional components, and varied configurations, and provides designated securement points, TiLite makes no claim that any other components or configuration have been tested beyond the above-described ISO 7176-19-conforming configuration. Please refer to the TiLite Transit Tie-Down Option Owner's Manual Supplement for additional information and warnings. The U.S. Department of Transportation has not approved any tie-down system for transportation of a user while in a wheelchair in a moving vehicle of any type. It is TiLite's position that users of wheelchairs should be transferred into appropriate seating in motor vehicles and use the restraints made available by the auto industry. TiLite does not claim that its Transit Tie-Down Option will prevent injury or death in the event of a motor vehicle accident.

## FRAME FINISHES

### Natural Titanium

Z2FF1 <input type="checkbox"/> Satin .....	<b>STD</b>
Z2SCBT1 <input type="checkbox"/> Satin Finish Buffing Pads.....	<b>\$20</b>
Z2FF2 <input type="checkbox"/> Polished .....	<b>\$710</b>
Z2FF3 <input type="checkbox"/> Tattooed Titanium™ (Tattoos on front frame tubes. Frame finished in Satin. Click on the images below to view the Tattoos online.)..	<b>\$295</b>



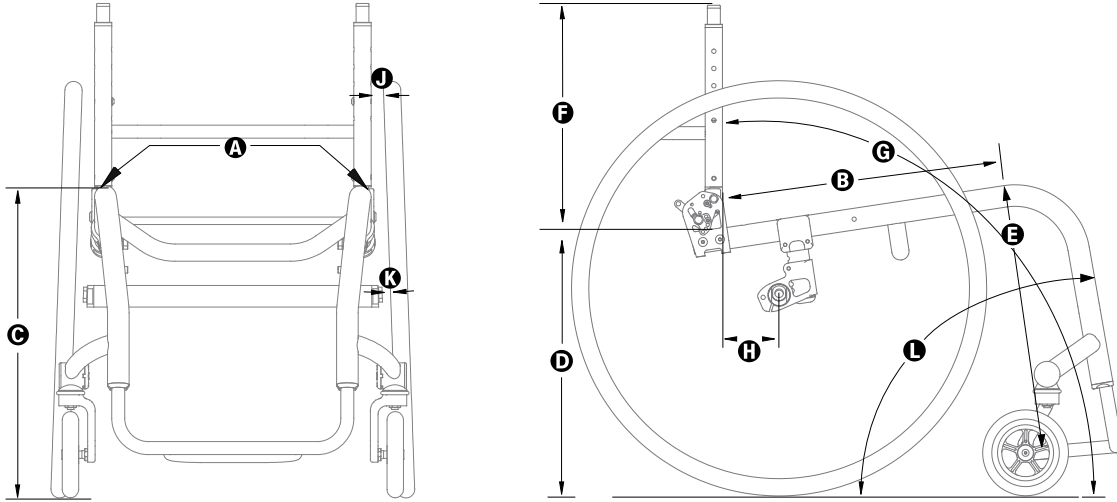
<b>High Gloss Paint</b>	Z2FF8 <input type="checkbox"/> Super Wet Black	Z2FF9 <input type="checkbox"/> Sunburst Yellow	Z2FF10 <input type="checkbox"/> TiLite Red
	Z2FF11 <input type="checkbox"/> Military Green	Z2FF12 <input type="checkbox"/> Orange Crush	Z2FF13 <input type="checkbox"/> Hot Pink
<b>Metallic Paint</b>	Z2FF14 <input type="checkbox"/> Ocean Blue Metallic	Z2FF15 <input type="checkbox"/> Tangerine Metallic	Z2FF16 <input type="checkbox"/> Salsa Red Metallic
<b>Pearlescent Paint</b>	Z2FF17 <input type="checkbox"/> Midnight Blue Pearl	Z2FF18 <input type="checkbox"/> White Pearl	
<b>Matte Paint</b>	Z2FF19 <input type="checkbox"/> Black Lava	Z2FF20 <input type="checkbox"/> Deep Blue Ice	Z2FF21 <input type="checkbox"/> Scarlet Ice
	<b>Z2FF27 <input type="checkbox"/> Titanium Grey</b>		
<b>Candy Paint</b>	Z2FF22 <input type="checkbox"/> Ruby Red	Z2FF23 <input type="checkbox"/> Azure Blue	Z2FF24 <input type="checkbox"/> Root Beer Candy
	Z2FF25 <input type="checkbox"/> Electric Plum	Z2FF26 <input type="checkbox"/> Atomic Green .....	<b>STD</b>

## COLOR ANODIZE PACKAGE

(Color Anodize Package includes: Aluminum Camber Tube, Camber Mount, Footrest Clamp, Caster Mount, Caster Fork, and Caster Cap. If no anodize color is selected, the default will be black.)

- Z2ANO1  Black.....**STD**  
 Z2ANO5  Sapphire Z2ANO3  Red Pepper Z2ANO6  Burnt Orange Z2ANO7  Sub-Lime Z2ANO8  Ultraviolet .....**\$140**

## FRAME MEASUREMENTS

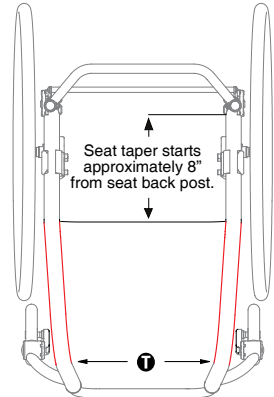


**REAR SEAT WIDTH A** Measure from outside of seat tube at back post to the outside of the opposite seat tube at back post.

- Z2SW4  10"  11"  12"  13"  14"  15"  16"  17"  18"  19".....**STD**  
 Z2SW2  20".....**\$450**

**FRONT SEAT WIDTH (SEAT TAPER) I** Measure from inside of front frame tube to inside of opposite front frame tube.

- Z2FSW1  No Taper.....**STD**  
 Z2FSW3  1.5" Taper (4" Narrower than Rear Seat Width. Includes Tension Adjustable by Straps Seat Upholstery. Not available with 10" and 11" Seat Widths A.).....**\$260**  
 Z2FSW5  2.5" Taper (5" Narrower than Rear Seat Width. Includes Tension Adjustable by Straps Seat Upholstery. Not available with 10" to 14" Seat Widths A.).....**\$260**



**SEAT DEPTH B** Measure from front of back post to the front edge of seat sling. Front edge of seat sling will be at the beginning of the bend at front of chair frame, unless Frog Legs® or 90° Front Angle is ordered, in which case front edge of seat sling begins approximately 1" behind the bend.

- Z2SD1  10"  11"  12"  13"  14"  15"  16"  17"  18"  19".....**STD**  
 Z2SD2  20".....**\$475**  
 Z2SD3  Frame Depth Longer or Shorter Than Seat Depth (A Custom Frame Depth of 20" is \$450 if Seat Depth B of 20" is not also selected.).....**\$0.00**  
 Custom Frame Depth: \_\_\_\_\_"

**FRONT SEAT HEIGHT C** Measure from floor to top of seat tube at beginning of bend. ZRA adjusts up and down in 1/2" increments.

- Z2FSH1  16"  16.5"  17"  17.5"  18"  18.5"  19"  19.5"  20"  20.5"  21".....**STD**

## FRAME MEASUREMENTS

**REAR SEAT HEIGHT ①** Measure from floor to top of seat tube at back post. ZRA adjusts up and down in 1/2" increments.

### REAR SEAT HEIGHT RANGES

Rear Wheel Size	ZRA Rear Seat Heights ①				
20"	12.5" - 18.5"	Z2RSH1 <input type="checkbox"/> 12.5"	<input type="checkbox"/> 13"	<input type="checkbox"/> 13.5"	<input type="checkbox"/> 14"
22"	14.0" - 19"	<input type="checkbox"/> 14.5"	<input type="checkbox"/> 15"	<input type="checkbox"/> 15.5"	<input type="checkbox"/> 16"
24"	14.5" - 20"	<input type="checkbox"/> 16.5"	<input type="checkbox"/> 17"	<input type="checkbox"/> 17.5"	<input type="checkbox"/> 18"
25"	14.5" - 20"	<input type="checkbox"/> 18.5"	<input type="checkbox"/> 19"	<input type="checkbox"/> 19.5"	<input type="checkbox"/> 20"..... <b>STD</b>
26"	15.5" - 20"				

**FRONT ANGLE ①** Measure from frame front to floor.

Z2FA1  70°  75°  80°  85° (85° Not available with 6" Front Wheels.)  90° (90° Not available with 5" or 6" Front Wheels.) ....**STD**

**SEAT TO FOOTREST ②/FOOTRESTS** Measure from front edge of seat sling to top rear of footrest. **Measurement must be at least 2" shorter than Front Seat Height ③.**

#### STANDARD FOOTRESTS

- 13.5"  14"  14.5"  15"  15.5"  16"  16.5"  17"  17.5"  18"  18.5"  19"
- Z2FTR3  Angle Adjustable Footrest .....**STD**
- Z2FTR1  Titanium Footrest w/Flat ABS Cover (Not available w/ Heavy Duty Edition.).....**\$150**
- Z2FTR2  Titanium Open Loop Footrest (Not available w/ Heavy Duty Edition.).....**\$210**
- Z2FTR12  Titanium Flip-Back Footrest (Not available w/ 10" or 11" Rear Seat Width ④, Heavy Duty Edition, ABS Cover w/ 2" Sides or Front Roller.).....**\$155**

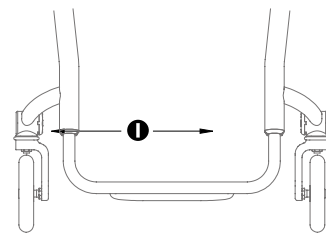
#### HIGH MOUNT FOOTREST

- 7"-9"  9"-11"  11"-13 Set at: \_\_\_\_\_ (Use 1/2" increments)
- Z2FTR4  Angle Adjustable High Mount Footrest.....**\$95**
- Z2FTR14  **ABS Cover w/2" Sides** (Not available with Flip-Back Footrest or chairs with 10" or 11" Rear Seat Width ④).....**\$105**

**FOOTREST WIDTH ① or ②** Select either a Standard Front End if no Seat Taper ① is selected on page 3 or a V-Front End if a Seat Taper ① is selected on page 3.

Z2FE1 **STANDARD FRONT END ①** Find your Rear Seat Width ④ in the chart below and select one of the options to the right. Measure from inside of front frame tube to inside of opposite front frame tube. ....**STD**

REAR SEAT WIDTH ④ (Outside Measurement)	FOOTREST WIDTH ①		
	No Taper (2.5" Narrower than Rear Seat Width)	1.5" Taper (4" Narrower than Rear Seat Width)	3.5" Taper (6" Narrower than Rear Seat Width)
10"	<input type="checkbox"/> 7.5"		
11"	<input type="checkbox"/> 8.5"		
12"	<input type="checkbox"/> 9.5"	<input type="checkbox"/> 8"	
13"	<input type="checkbox"/> 10.5"	<input type="checkbox"/> 9"	
14"	<input type="checkbox"/> 11.5"	<input type="checkbox"/> 10"	
15"	<input type="checkbox"/> 12.5"	<input type="checkbox"/> 11"	<input type="checkbox"/> 9"
16"	<input type="checkbox"/> 13.5"	<input type="checkbox"/> 12"	<input type="checkbox"/> 10"
17"	<input type="checkbox"/> 14.5"	<input type="checkbox"/> 13"	<input type="checkbox"/> 11"
18"	<input type="checkbox"/> 15.5"	<input type="checkbox"/> 14"	<input type="checkbox"/> 12"
19"	<input type="checkbox"/> 16.5"	<input type="checkbox"/> 15"	<input type="checkbox"/> 13"
20"	<input type="checkbox"/> 17.5"	<input type="checkbox"/> 16"	<input type="checkbox"/> 14"



**OR**

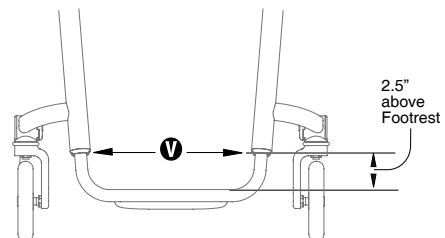
Z2FE2 **V-FRONT END ②** Measure from inside of front frame tube to inside of opposite front frame tube 2-1/2" above footrest. (Titanium Flip-Back Footrest has 1" of adjustment up and down.).....**NCO**

**NO V-Front Taper** (Required with Heavy Duty Edition.)

**OR**

#### FOOTREST WIDTH ②

- 7"  7.5"  8"  8.5"  9"  9.5"
- 10"  10.5"  11"  11.5"  12"  12.5"
- 13"  13.5"  14"  14.5"  15"  15.5"
- 16"  16.5"  17"  17.5"  18"



## FRAME MEASUREMENTS

**SEAT BACK TYPE/PUSH HANDLES/SEAT BACK HEIGHT** Measure from top of back post to top of seat tube at rear of frame.

**SEAT BACK TYPE**

- Z2SB1  Folding Aluminum Adjustable Height (Required for Heavy Duty Edition.).....**NCO**
- Z2SB2  Folding Titanium Adjustable Height (Titanium back will match Frame Finish. Not available with Bolt-On Push Handles.)**\$185**
- Z2SB11  Seat Back that Locks when Folded.....**NCO**

**TISHAFT™ BACK RELEASE BARS** (Not available with Non-Folding, Fixed Height Titanium Back.)

- Z2SB3  Aluminum.....**STD**
- Z2SB4  Titanium.....**\$40**
- Z2SB5  Carbon Fiber.....**\$75**

**PUSH HANDLES**

- Z2SB6  Integrated Push Handles (Not available with Non-Folding, Fixed Height Titanium Back.).....**NCO**
- Z2SB7  Integrated Fold-Down Push Handles (Requires Tension Adjustable by Straps Back Upholstery. ....**\$115**
- Z2SB8  Bolt-On Push Handles (Includes 4" Deep Backrest Rigidizer Bar. Not available with Ti Back.).....**\$185**
- Z2SB9  Bolt-On Height-Adjustable Push Handles (Includes 4" Deep Backrest Rigidizer Bar. Not available with Ti Back.).....**\$310**

**SEAT BACK HEIGHT**

**FOLDING BACKREST**

Push Handles	Short	Medium	Tall	Set at: (Use 1/2" increments)
None	<input type="checkbox"/> 8.5"- 11.5"	<input type="checkbox"/> 12"- 16.5"	<input type="checkbox"/> 16.5"- 20.5"	<b>Set at:</b> _____
Integrated	<input type="checkbox"/> 10.5"- 12.5"	<input type="checkbox"/> 13.5"- 16.5"	<input type="checkbox"/> 17.5"- 20.5"	<b>Set at:</b> _____
Integrated Fold-Down	<input type="checkbox"/> 13"- 15.5"	<input type="checkbox"/> 14.5"- 19"	<input type="checkbox"/> 18.5"- 21"	<b>Set at:</b> _____

**AVAILABLE ON ALL BACKS**

- Z2SB12  4" Deep Backrest Rigidizer Bar (Required for Heavy Duty Edition.)..... **NCO**
- Z2SB16  Depth Adjustable Back/Frame (Seat Depths of 10"-18" allow 2" of rearward adjustment. Height Adjustable Push Handles have a limited Height range with Depth Adjustable Back. Not Available with 19" or 20" Seat Depths , Heavy Duty Edition, Tension Adjustable by Straps Seat Upholstery, Carbon Fiber Side Guards or Desk Arms.)..... **\$205**
- Z2SB13  Custom Height Backrest Rigidizer Bar (The Standard Rigidizer Bar height is 5" above the Seat Sling for a short, 6-1/4" for a medium and 10-1/4" for a tall. Custom Height Rigidizer Bar must be at least 4-1/2" above Seat Sling or 5-3/4" above Seat Sling when used with 11" - 14" Swing Away Tubular Armrests. Maximum Height is 3" less than Lowest Seat Back Height.).....**\$150**  
 Set at: \_\_\_\_\_ (Use 1/4" increments)

**SEAT BACK ANGLE** Measure angle from front of back post to floor. 90° will be perpendicular to the floor. To approximate the angle from the back post to the seat, subtract 2 degrees from measurement for every 1/2" of dump.

- Z2SBA1  80°  83°  86°  89°  92°  95°  98°  101°..... **NCO**

**CENTER OF GRAVITY** Measure from front of back post at the seat tube to the center of the rear axle. If no center of gravity is selected, chair will ship with the center of gravity in the rearward-most position.

- Z2COG1  0"  .25"  .5"  .75"  1"  1.25"  1.5"  1.75"  2"  2.25"  2.5"  2.75"  3"  3.25"  3.5"  3.75"  4"  4.25"  4.5"  4.75"  5"  5.25"  5.5"  5.75"  6"..... **STD**

**REAR WHEEL SPACING** Measure from outside of seat back post to inside of rear tire. 3/4" Rear Wheel Spacing not available with 0° or 2° Camber .

- Z2RWS1  .75"  1"  1.25"  1.5"  1.75"  2"..... **STD**

**CAMBER** /CAMBER TUBES

- Z2CBR1  0°  2°  4°  6°  8°  12° ..... **STD**
- Z2CBR2  15°  18°..... **\$85**
- Z2CBR3  Titanium Camber Tube (Not available with a Power Adaptable Frame.)..... **\$55**
- Z2CBR6  Carbon Fiber Camber Tube (Not available with Power Adaptable Frame or Heavy Duty Edition.)..... **\$195**
- Z2CBR5  Additional Aluminum Camber Tube  0°  2°  4°  6°  8°  12°  15°  18°..... **\$115**
- Z2CBR4  Additional Titanium Camber Tube  0°  2°  4°  6°  8°  12°  15°  18°..... **\$115**
- Z2CBR7  Additional Carbon Fiber Camber Tube  0°  2°  4°  6°  8°  12°  15°  18°..... **\$250**
- Z2CBR9  Additional Spacers to Increase Rear Wheel Spacing..... **NCO**

## CHAIR OPTIONS

### FRONT WHEELS

Z2FW1	<input type="checkbox"/> 3"x.75" Micro-Caster (Not available with Slipstream Fork or Heavy Duty Edition.).....	<b>STD</b>
Z2FW2	<input type="checkbox"/> 3"x.75" Light-Up Micro-Caster (Not available with Slipstream Fork or Heavy Duty Edition.).....	<b>\$70</b>
Z2FW23	<input type="checkbox"/> 3"x1.5" Billet Aluminum Micro Caster w/Soft Roll Tire (Available with Slipstream Fork only.).....	<b>\$155</b>
Z2FW14	<input type="checkbox"/> 4"x.75" Plastic Wheel w/Poly Tire (Not available with Slipstream Fork or Heavy Duty Edition.).....	<b>NCO</b>
Z2FW3	<input type="checkbox"/> 4"x.75" Light-Up Micro-Caster (Not available with Slipstream Fork or Heavy Duty Edition.).....	<b>\$70</b>
Z2FW19	<input type="checkbox"/> 4"x.75" Performance 5 Spoke Billet Aluminum Wheel w/Poly Tire <input type="checkbox"/> Silver Hub <b>OR</b> <input type="checkbox"/> Black Hub.....	<b>\$130</b>
Z2FW20	<input type="checkbox"/> 4"x1" Performance 5 Spoke 2-Piece Billet Aluminum Wheel w/Soft Roll Tire <input type="checkbox"/> Silver Hub <b>OR</b> <input type="checkbox"/> Black Hub.....	<b>\$170</b>
Z2FW15	<input type="checkbox"/> 4"x1.5" Plastic Wheel w/Poly Tire (Not available w/ Heavy Duty Edition.).....	<b>\$80</b>
Z2FW6	<input type="checkbox"/> 5"x1" Plastic Wheel w/Poly Tire (Not available with 90° Front Angle <b>Ⓛ</b> , Slipstream Fork or Heavy Duty Edition.).....	<b>NCO</b>
Z2FW21	<input type="checkbox"/> 5"x1" Performance 5 Spoke Billet Aluminum Wheel w/Poly Tire <input type="checkbox"/> Silver Hub <b>OR</b> <input type="checkbox"/> Black Hub (Not available with 90° Front Angle <b>Ⓛ</b> ).....	<b>\$150</b>
Z2FW22	<input type="checkbox"/> 5"x1" Performance 5 Spoke 2-Piece Billet Aluminum Wheel w/Soft Roll Tire <input type="checkbox"/> Silver Hub <b>OR</b> <input type="checkbox"/> Black Hub (Not available with 90° Front Angle <b>Ⓛ</b> ).....	<b>\$190</b>
Z2FW18	<input type="checkbox"/> 5"x1.5" Plastic Wheel w/Poly Tire (Not available with 90° Front Angle <b>Ⓛ</b> or Heavy Duty Edition.).....	<b>\$80</b>
Z2FW9	<input type="checkbox"/> 6"x1" Plastic Wheel w/Poly Tire (Not available with 85° or 90° Front Angle <b>Ⓛ</b> , Slipstream Fork or Heavy Duty Edition.).....	<b>NCO</b>
Z2FW11	<input type="checkbox"/> 6"x1" Billet Aluminum Wheel w/Poly Tire <input type="checkbox"/> Silver Hub <b>OR</b> <input type="checkbox"/> Black Hub (Not available with 85° or 90° Front Angle <b>Ⓛ</b> , Slipstream Fork or Heavy Duty Edition.).....	<b>\$170</b>
Z2FW10	<input type="checkbox"/> 6"x1.25" Plastic Wheel w/Pneumatic Tire (Not available with 85° or 90° Front Angle <b>Ⓛ</b> , Slipstream Fork or Heavy Duty Edition.).....	<b>\$75</b>
Z2FW12	<input type="checkbox"/> 6"x1.25" Billet Aluminum Wheel w/Pneumatic Tire <input type="checkbox"/> Silver Hub <b>OR</b> <input type="checkbox"/> Black Hub (Not available with 85° or 90° Front Angle <b>Ⓛ</b> or with Slipstream Fork.).....	<b>\$185</b>
Z2FW13	<input type="checkbox"/> 6"x1.25" 2-Piece Billet Aluminum Wheel w/Soft Roll Tire (Not available with 85° or 90° Front Angle <b>Ⓛ</b> or with Slipstream Fork.).....	<b>\$195</b>
Z2FW0	<input type="checkbox"/> Omit Front Wheels (Must Choose Wheel Size Above).....	<b>\$0.00</b>

### FRONT FORKS

Z2FK1	<input type="checkbox"/> TiLite Standard Fork.....	<b>STD</b>
Z2FK2	<input type="checkbox"/> TiLite Slipstream Single-Sided Fork (Not available w/ Heavy Duty Edition.).....	<b>\$160</b>
Z2FRG1	<input type="checkbox"/> Frog Legs® Suspension Forks (Available in Black anodize only.).....	<b>\$425</b>
Z2TS1	<input type="checkbox"/> Titanium Fork Stems (Not available with Frog Legs®.).....	<b>\$55</b>

### REAR WHEELS See Rear Seat Height Ranges chart on Page 3 for Rear Seat Height **Ⓛ** limitations.

Z2RW14	TiLite SHADOW™ (Not available with Titanium Quick Release Axles or Heavy Duty Edition.).....	<b>STD</b>
	<input type="checkbox"/> 20"(451)	
	<input type="checkbox"/> 22"(501)	
	<input type="checkbox"/> 24"(540)	
	<input type="checkbox"/> 25"(559) (Requires 15" minimum Seat Depth <b>Ⓛ</b> .)	
	<input type="checkbox"/> 26"(590) (Requires 15" minimum Seat Depth <b>Ⓛ</b> .)	
Z2RW12	TiLite DASH (Not available with Titanium Quick Release Axles or Heavy Duty Edition.).....	<b>\$100</b>
	<input type="checkbox"/> 20"(451)	
Z2RW5	TiLite High Flange Hub (Not available with Titanium Quick Release Axles.).....	<b>\$270</b>
	<input type="checkbox"/> 24"(540)	
	<input type="checkbox"/> 25"(559) (Requires 15" minimum Seat Depth <b>Ⓛ</b> .)	
	<input type="checkbox"/> 26"(590) (Requires 15" minimum Seat Depth <b>Ⓛ</b> .)	
Z2RW13	Golz TWIN-STAR Exchange (Not available with Titanium Quick Release Axles.).....	<b>\$895</b>
	<input type="checkbox"/> 24"(540)	
	<input type="checkbox"/> 25"(559) (Requires 15" minimum Seat Depth <b>Ⓛ</b> .)	
Z2RW7	Spinergy SPOX <input type="checkbox"/> Black <input type="checkbox"/> Red <input type="checkbox"/> Yellow <input type="checkbox"/> Blue <input type="checkbox"/> White.....	<b>\$695</b>
	<input type="checkbox"/> 22"(501) - Std. Hub	
	<input type="checkbox"/> 24"(540) - Std. Hub	
	<input type="checkbox"/> 25"(559) - Std. Hub (Requires 15" minimum Seat Depth <b>Ⓛ</b> .)	
	<input type="checkbox"/> 26"(590) - Sport Hub (Requires 15" minimum Seat Depth <b>Ⓛ</b> . Not available with Titanium Quick Release or Quad Release Axles.)	
Z2RW8	Spinergy LX <input type="checkbox"/> Black <input type="checkbox"/> Red <input type="checkbox"/> Yellow <input type="checkbox"/> Blue <input type="checkbox"/> White <input type="checkbox"/> Go Green <input type="checkbox"/> Bright Orange <input type="checkbox"/> Flamingo Pink (Please allow an additional 2-3 weeks delivery on Go Green, Bright Orange and Flamingo Pink.)... <b>\$895</b>	
	<input type="checkbox"/> 22"(501) - Std. Hub	
	<input type="checkbox"/> 24"(540) - Std. Hub	
	<input type="checkbox"/> 25"(559) - Std. Hub (Requires 15" minimum Seat Depth <b>Ⓛ</b> .)	
	<input type="checkbox"/> 26"(590) - Sport Hub (Requires 15" minimum Seat Depth <b>Ⓛ</b> . Not available with Titanium Quick Release or Quad Release Axles.)	
Z2RW11	Skyway Mags <input type="checkbox"/> 22" <input type="checkbox"/> 24" (Not available with Short Tabs, Titanium Quick Release Axles, Quad Release Axles or Spoke Guards or Heavy Duty Edition.).....	<b>\$80</b>
Z2RW0	<input type="checkbox"/> Omit Rear Wheels (Must choose Wheel Size and Tire Type below.).....	<b>\$0</b>

## CHAIR OPTIONS

### AXLES

Z2AXL1 <input type="checkbox"/> Stainless Quick Release.....	<b>STD</b>
Z2AXL2 <input type="checkbox"/> Titanium Quick Release (Not available with TiLite High Flange Hub, SHADOW, Skyway Mags, 26"(590) Spinergy SPOX or LX Rear Wheels or Power Adaptable Frame.).....	<b>\$215</b>
Z2AXL3 <input type="checkbox"/> Quad Release (Not available with Skyway Mags or 26"(590) Spinergy Spox or LX Rear Wheels.).....	<b>\$105</b>

### PNEUMATIC REAR TIRES

Z2RTR1 <input type="checkbox"/> Treaded (Not available with 25"(559) Rear Wheels.).....	<b>STD</b>
Z2RTR2 <input type="checkbox"/> Airless Inserts .....	<b>\$90</b>
Z2RTR3 <input type="checkbox"/> 25" Primo Treaded (Standard with 25"(559) Rear Wheels.).....	<b>STD</b>
Z2RTR4 <input type="checkbox"/> Primo.....	<b>NCO</b>
Z2RTR16 <input type="checkbox"/> 20" Kenda® Grey High Pressure (110psi) .....	<b>\$95</b>
Z2RTR5 <input type="checkbox"/> 24", 25" and 26" Kenda® High Pressure (110psi) <input type="checkbox"/> Grey <input type="checkbox"/> Red <input type="checkbox"/> Blue.....	<b>\$95</b>
Z2RTR6 <input type="checkbox"/> 24" Grey Knobby (Requires TiLite Wheel with High Flange Hub.).....	<b>\$105</b>
Z2RTR7 <input type="checkbox"/> 26" Black Knobby (Requires TiLite Wheel with High Flange Hub or Spinergy SPOX or Spinergy LX Rear Wheels.).....	<b>\$105</b>
Z2RTR8 <input type="checkbox"/> 24", 25" and 26" Schwalbe® Marathon Plus Evolution.....	<b>\$90</b>
Z2RTR9 <input type="checkbox"/> 24" and 25" Schwalbe® SpeedRun.....	<b>\$135</b>

### SOLID REAR TIRES

Z2RTR10 <input type="checkbox"/> 20" (451) Street Tread.....	<b>\$85</b>
Z2RTR11 <input type="checkbox"/> 22" (501) Pyramid.....	<b>\$85</b>
Z2RTR13 <input type="checkbox"/> 24" (540) and 25" (559) Herringbone Tread.....	<b>\$95</b>
Z2RTR15 <input type="checkbox"/> 24" (540) and 25" (559) Treaded.....	<b>\$95</b>

### HANDRIMS

**Handrims by OUT-FRONT®** (If the Rugged Edition is selected on Page 2, please select two sets of handrims and indicate SPOX or High Flange next to each of your selections to indicate that they should be attached to either the Spinergy SPOX or TiLite High Flange Rear Wheels.)

Z2RIM1 <input type="checkbox"/> Aluminum – Silver Anodized.....	<b>STD</b>
Titanium (Not available with Skyway Mags, 20" or 22" Rear Wheels, or 24" Knobby tires.)	
Z2RIM12 <input type="checkbox"/> Satin Finish.....	<b>\$440</b>
Z2RIM13 <input type="checkbox"/> Polished Finish.....	<b>\$615</b>
The Natural-Fit® (Original, Larger Profile) (Not available with 22" Skyway Mags.)	
Z2RIM14 <input type="checkbox"/> Standard Grip (Not available with Short Tabs.).....	<b>\$325</b>
Z2RIM15 <input type="checkbox"/> Super Grip (Not available with Short Tabs.).....	<b>\$375</b>
Z2RIM16 <input type="checkbox"/> Without Thumb Grip.....	<b>\$295</b>
The Natural-Fit® LT (Reduced Weight, Smaller Profile) (Not available with 22" Skyway Mags.)	
Z2RIM17 <input type="checkbox"/> Standard Grip (Not available with Short Tabs.).....	<b>\$360</b>
Z2RIM18 <input type="checkbox"/> Super Grip (Not available with Short Tabs.).....	<b>\$405</b>
Z2RIM19 <input type="checkbox"/> Without Thumb Grip.....	<b>\$330</b>
Z2RIM10 <input type="checkbox"/> The Surge (All-In-One Oval with Gription™ Strip, Larger Profile) (Not available with 22" Skyway Mags.).....	<b>\$325</b>
Z2RIM11 <input type="checkbox"/> The Surge LT (All-In-One Oval with Gription™ Strip, Smaller Profile) (Not available with 22" Skyway Mags.).....	<b>\$360</b>
Z2RIM20 <input type="checkbox"/> Q-Grip (Exclusive High-Friction, Anti-Slip Coating) (Not available with 20", 22" or 26" Rear Wheels or Skyway Mags.).....	<b>\$285</b>

#### Additional Handrims

Z2RIM9 <input type="checkbox"/> Spinergy FlexRim (Available only on 24" and 25" Spinergy LX Rear Wheels. Please allow an additional 2-3 weeks delivery.).....	<b>\$525</b>
Z2RIM5 <input type="checkbox"/> Plastic Coated – (Black only).....	<b>\$105</b>
Z2RIM6 <input type="checkbox"/> Projections - 8 Vertical Projections (Not available with 20", 22" or 26" Rear Wheels or Skyway Mags.).....	<b>\$265</b>
Z2RIM0 <input type="checkbox"/> Omit Handrims.....	<b>\$0.00</b>

#### Tab Length

Z2RIM7 <input type="checkbox"/> Long Tabs.....	<b>STD</b>
Z2RIM8 <input type="checkbox"/> Short Tabs (Not available with Skyway Mags or The Natural-Fit® Handrims with Thumb Grip.).....	<b>\$20</b>

### WHEEL LOCKS

Z2WLK7 <input type="checkbox"/> Compact Composite <b>Push</b> to Lock (Available with .75" to 1.5" Rear Wheel Spacing <b>1</b> only).....	<b>NCO</b>
Z2WLK8 <input type="checkbox"/> Compact Composite <b>Pull</b> to Lock (Available with .75" to 1.5" Rear Wheel Spacing <b>1</b> only).....	<b>NCO</b>
Z2WLK10 <input type="checkbox"/> Extension Handles for Compact Composite Push/Pull to Lock.....	<b>\$75</b>
Z2WLK9 <input type="checkbox"/> Composite Scissor Lock.....	<b>\$110</b>
Z2WLK5 <input type="checkbox"/> Black Aluminum Scissor Lock.....	<b>\$150</b>
Z2WLK3 <input type="checkbox"/> Uni-Lock Set At: <input type="checkbox"/> Push <b>OR</b> <input type="checkbox"/> Pull.....	<b>\$135</b>
Z2WLK4 <input type="checkbox"/> Extension Handles for Uni-Lock.....	<b>\$75</b>

### UPHOLSTERY COLORS

Z2UPC1 <input type="checkbox"/> Black.....	<b>STD</b>
Z2UPC3 Ultrasuede Backrest Stripe <input type="checkbox"/> Black <input type="checkbox"/> Sapphire <input type="checkbox"/> Red Pepper <input type="checkbox"/> Burnt Orange <input type="checkbox"/> Sub-Lime <input type="checkbox"/> Ultraviolet <input type="checkbox"/> Espresso.....	<b>\$90</b>

## CHAIR OPTIONS

### BACK UPHOLSTERY

- Z2BUP2  Velcro Adjustable (Not available with Fold-Down Push Handles or Heavy Duty Edition.).....**STD**
- Z2BUP3  Tension Adjustable by Straps (Required with Heavy Duty Edition and Fold-Down Push Handles.).....**\$95**
- Z2BUP0  Omit Back Upholstery.....**NCO**
- Z2BUP4  Ride Designs® Corbac™ Adjustable Contour Back Support (Black Only. Not available with Fold-Down Push Handles.  
See Chart on Page 8.).....**\$455**

### CORBAC™ SEAT WIDTH/BACK HEIGHT AVAILABILITY CHART

Rear Seat Width <b>A</b>	Seat Back Height <b>B</b>
14"	13" - 15"
15"	13" - 16"
16"	14" - 16"
17"	14" - 16"
18"	14" - 16"

### SEAT UPHOLSTERY

- Z2SUP1  Tension Adjustable Bolt On (Not available with Tapered Seat **F**. Black only.).....**STD**  
iSleeve™ Under Seat Smartphone Holder (Not available with 10" to 13" Rear Seat Width **A** or Seat Depth **D**.).....**STD**
- Z2SUP2  Tension Adjustable by Straps (Standard Front Seat Width (Seat Taper) **F** of 1.5" and 2.5". Black only.).....**\$145**
- Z2SUP3  G10 Solid Seat (Not available with 10" or 11" Rear Seat Width **A**.).....**\$245**
- Z2SUP0  Omit Seat Upholstery.....**NCO**

### SEAT CUSHIONS

- Z2CSH1  Foam Cushion  2"  3"  4".....**\$105**

### SIDE GUARDS

- Z2SDG1  Cloth (Not available with Ride Designs® Corbac™ back support.).....**\$75**

#### Aluminum

- Z2SDG2  Rigid Removable  Small **OR**  Std.....**\$175**
- Z2SDG3  Quad Removable w/Hole  Small **OR**  Std.....**\$185**
- Z2SDG4  Fold Down Rigid  Small **OR**  Std.....**\$295**
- Z2SDG6  Fendered Adjustable (Available with 24" and 25" Rear Wheels. Requires Rear Seat Height **D** of 14.5" to 18.5").....**\$295**

#### Carbon Fiber

- Z2SDG7  Rigid Removable  Small **OR**  Std.....**\$290**
- Z2SDG8  Quad Removable w/Hole  Small **OR**  Std.....**\$295**
- Z2SDG9  Fold Down Rigid  Small **OR**  Std.....**\$440**
- Z2SDG12  Fendered Removable.....**\$415**

#### Available on Aluminum and Carbon Fiber Non-Fendered Side Guards

- Z2SDG13  Side Guards Custom Cut to Profile of Rear Wheels (Not available with Cloth.).....**\$295**

### ARMRESTS

- Z2ARM1  Swing Away Tubular  9" to 12" **OR**  11" to 14" (Not available with Depth Adjustable Back/Frame or Heavy Duty Edition.).....**\$215**
- Z2ARM4  Swing Away - Flip Back Tubular  6" to 9" **OR**  9" to 12" (Not available w/ Heavy Duty Edition.).....**\$295**
- Z2ARM2  Removable Height Adjustable Desk Arm with Rigid Side Guard (Not available with Depth Adjustable Back/Frame.  
Requires 14" minimum Seat Depth **D**.).....**\$295**

9" to 12" **OR**  12" to 15"

Standard Length Pad (10") **OR**  Full Length Pad (14")

- Z2ARM3  Removable Height Adjustable Desk Arm with Rigid Side Guard and Transfer Loop (Not available with Depth Adjustable  
Back/Frame. Requires 15" minimum Seat Depth **D**.).....**\$340**

9" to 12" **OR**  12" to 15"

Standard Length Pad (10") **OR**  Full Length Pad (14")

#### Available on all Armrests

- Z2ARM5  Covered in Black Ultrasuede.....**\$90**

## CHAIR OPTIONS

### SEAT BELTS

Z2BLT1 <input type="checkbox"/> Velcro Adjustable, Black Nylon Webbing.....	\$50
Z2BLT2 <input type="checkbox"/> Bodypoint® 2" Push-Button Buckle (Auto-Style.).....	\$95
Z2BLT4 <input type="checkbox"/> Bodypoint® 1" Wide Push-Button Buckle Padded (Auto-Style.) (Not available with 19" or 20" Rear Seat Widths A.).....	\$155
Z2BLT5 <input type="checkbox"/> Bodypoint® 1.5" Wide Push-Button Buckle Padded (Auto-Style.) (Not available with 19" or 20" Rear Seat Widths A.).....	\$155
Z2BLT6 <input type="checkbox"/> Bodypoint® 1.5" Wide Rehab Latch Buckle Padded (Airline-Style.) (Not available with 19" or 20" Rear Seat Widths A.).....	\$155
Z2BLT7 <input type="checkbox"/> Bodypoint® 1.5" Wide Plastic Side Release Padded (Not available with 19" or 20" Rear Seat Widths A.).....	\$120

### CALF STRAP

Z2CLF1 <input type="checkbox"/> Buckle Adjustable, Black Nylon Webbing.....	\$25
Z2CLF2 <input type="checkbox"/> Velcro Adjustable .....	\$40
<input type="checkbox"/> Xtra Small (Recommended for 10"- 13" Seat Widths)	
<input type="checkbox"/> Small (Recommended for 12"- 15" Seat Widths)	
<input type="checkbox"/> Medium (Recommended for 14"- 18" Seat Widths)	
<input type="checkbox"/> Large (Recommended for 17"- 19" Seat Widths)	
<input type="checkbox"/> Xtra Large (Recommended for 18"- 20" Seat Widths)	
Z2CLF3 <input type="checkbox"/> Bodypoint Padded Velcro Adjustable .....	\$85
<input type="checkbox"/> Small (Recommended for 10"- 11" Seat Widths)	
<input type="checkbox"/> Medium (Recommended for 12"- 15" Seat Widths)	
<input type="checkbox"/> Large (Recommended for 16"- 20" Seat Widths)	

### BACK PACK

Z2BCK1 <input type="checkbox"/> Small - Black Nylon .....	\$55
Z2BCK2 <input type="checkbox"/> Large - Black Nylon.....	\$70

### SEAT POUCH

Z2PCH1 <input type="checkbox"/> Small - Black Nylon.....	\$45
Z2PCH2 <input type="checkbox"/> Large - Black Nylon.....	\$50

### SPOKE GUARDS

Z2GRD1 <input type="checkbox"/> Clear with TiMotion Logo (Not available with Skyway Mags or 20" Rear Wheels.) .....	\$85
---	------

### ANTI-TIPS

Z2TIP1 <input type="checkbox"/> Black Aluminum.....	\$0.00
Z2TIP2 <input type="checkbox"/> User Friendly Flip-up (Not available with Power Adaptable Frame.).....	\$250

### ACCESSORIES

Z2UEST1 <input type="checkbox"/> Upper Extremity Support Tray <input type="checkbox"/> 12" to 14" <b>OR</b> <input type="checkbox"/> 13" to 15" Seat Widths A (Requires Armrests.).....	\$250
Z2LUG1 <input type="checkbox"/> Luggage Carriers.....	\$140
Z2MPCT2 Neoprene Impact Guards with Ultrasuede Stripe <input type="checkbox"/> Black <input type="checkbox"/> Sapphire <input type="checkbox"/> Red Pepper <input type="checkbox"/> Burnt Orange <input type="checkbox"/> Sub-Lime <input type="checkbox"/> Ultraviolet <input type="checkbox"/> Espresso.....	\$95
Z2CAT1 <input type="checkbox"/> Catch-All.....	\$150
Z2CH1 <input type="checkbox"/> Crutch Holder.....	\$95
Z2TS1 TiLite T-Shirt <input type="checkbox"/> Small <input type="checkbox"/> Medium <input type="checkbox"/> Large <input type="checkbox"/> X-Large <input type="checkbox"/> XX-Large.....	\$25
Z2TIP5 <input type="checkbox"/> Front Roller (Requires that Seat to Footrest Measurement B be at least 3" shorter than Front Seat Height C. Not available w/ Titanium Flip-Back Footrest.).....	\$95
Z2HS1 <input type="checkbox"/> TiLite 9 Piece SAE Round Handle Folding Hex Key Set.....	\$25

## DESIGNS UNLIMITED



TiLite's ZRA offers more than 15 million different frame combinations! But sometimes even that's not enough. If you would like to customize your TiLite, check out the Designs Unlimited Studio at [tilite.com](http://tilite.com). There you will find drawings and pricing for hundreds of creative solutions to customers' customization requests. We call these "D.U.'s." . Designs Unlimited customization may add an additional 2 to 3 weeks to the ship time of your chair.

## GENERAL

TiLite manufactures a wide variety of wheelchairs to meet the varied needs of wheelchair users. The final selection of a particular model, its options and accessories, and its measurements rests solely with the wheelchair user and advising healthcare professional. TiLite wheelchairs must be fitted by a qualified healthcare professional. .

Get the latest order forms at [tilite.com](http://tilite.com) Prices, standard features, options and accessories are subject to change without notice. All rights reserved. Trademarks are identified by symbols™ and ©. TiLite, the TiLite logo, Ti, the Ti logo, The Titanium Experts, TiShaft and The Ultimate Ride are registered trademarks of TiSport, LLC. Adobe®, Acrobat®, Acrobat Professional® and Reader® are registered trademarks of Adobe Systems Inc. Bodypoint® is a registered trademark of Bodypoint Inc. Frog Legs® is a registered trademark of Frog Legs, Inc. Kenda® is a registered trademark of Kenda Rubber Industrial Co Ltd. Ride Designs® and Corbac® are registered trademark of Aspen Seating, LLC. ROHO®, Low Profile® and Quadro Select® are registered trademarks of ROHO Inc. Schwalbe® is a registered trademark of Ralf Bohle GmbH. Supracor®, . The Natural-Fit® is a registered trademark of Three Rivers Holdings, LLC. Varilite® is a registered trademark of Cascade Designs, Inc.